

TANDBERG®

Power Amplifier 3003

Illustrated Parts List

Bestilling av deler

Ved alle henvendelser, vennligst oppgi apparatets type og serienummer.
Ved bestilling av deler, oppgi bestillingsnummer og beskrivelse.

Bestillingsadresse

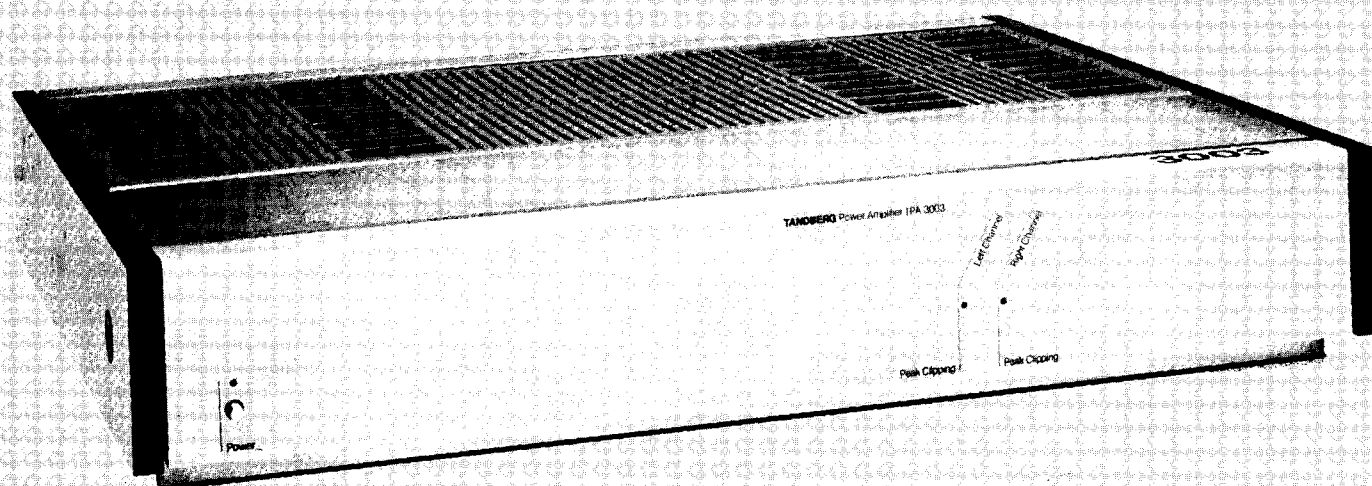
Kontakt nærmeste Tandberg-kontor eller:
Tandberg A/S
Sentral Delelager — Service
Postboks 53
N — 2007 KJELLER — Norge
Telefon: (02) 71 68 20
Telex: 18007 kurer n

Ordering of spare parts

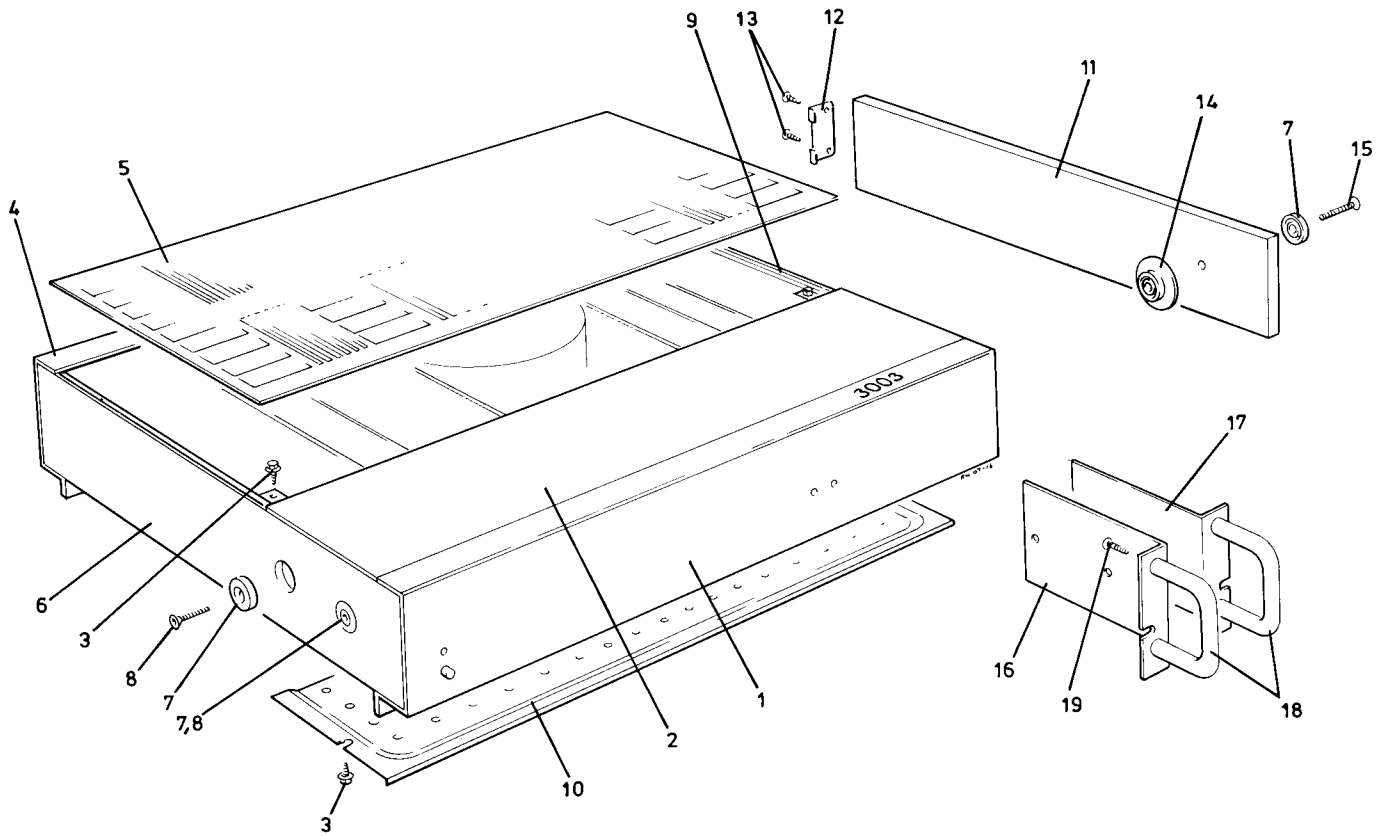
For all enquiries, please state the set's type and serial number.
When ordering, give the part's order number and description.

Address

Contact your nearest Tandberg office or:
Tandberg A/S
Spares Department
P.O. Box 53
N — 2007 KJELLER — Norway
Telephone: (2) 71 68 20
Telex: 18007 kurer n

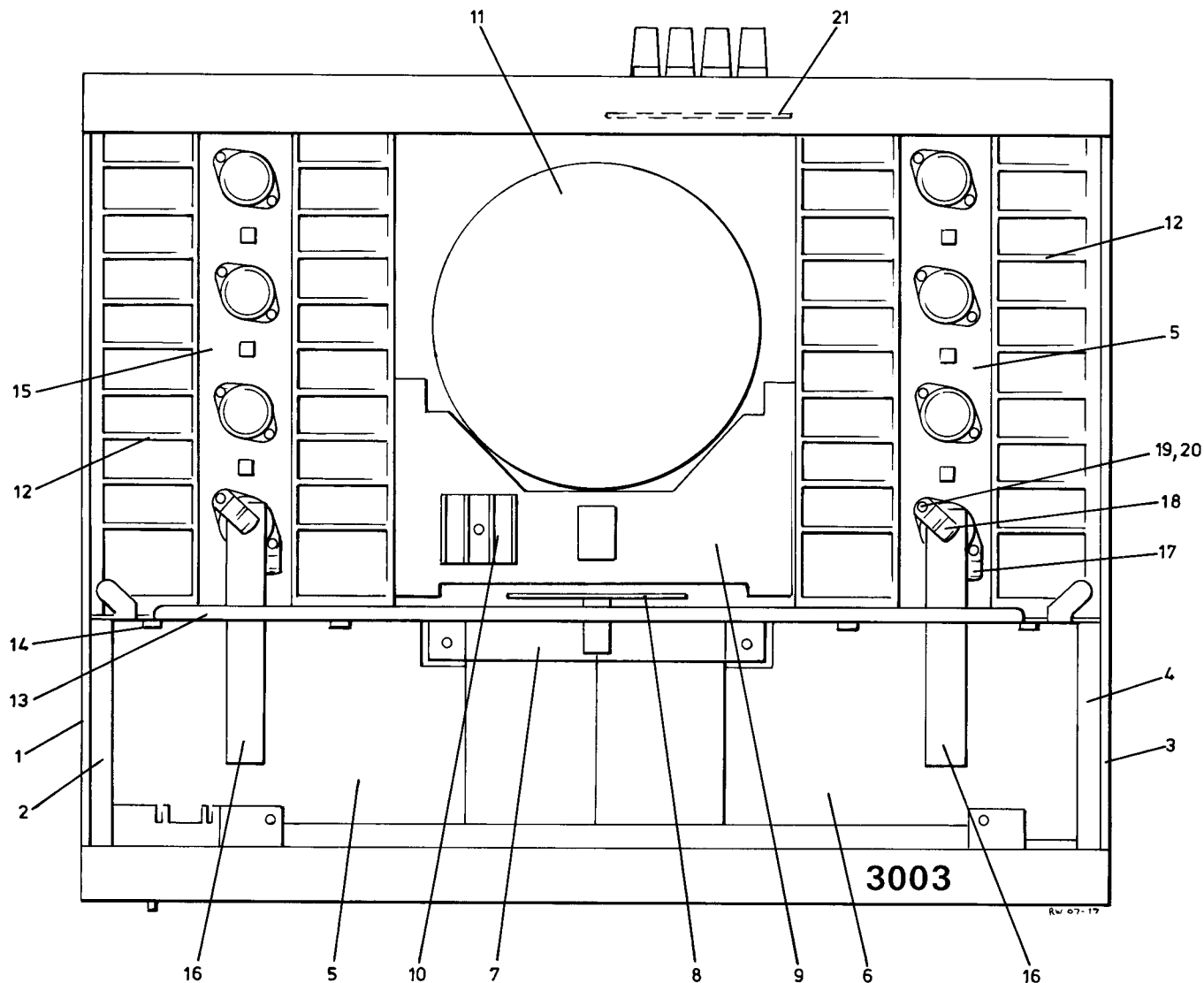


Cabinet assembly



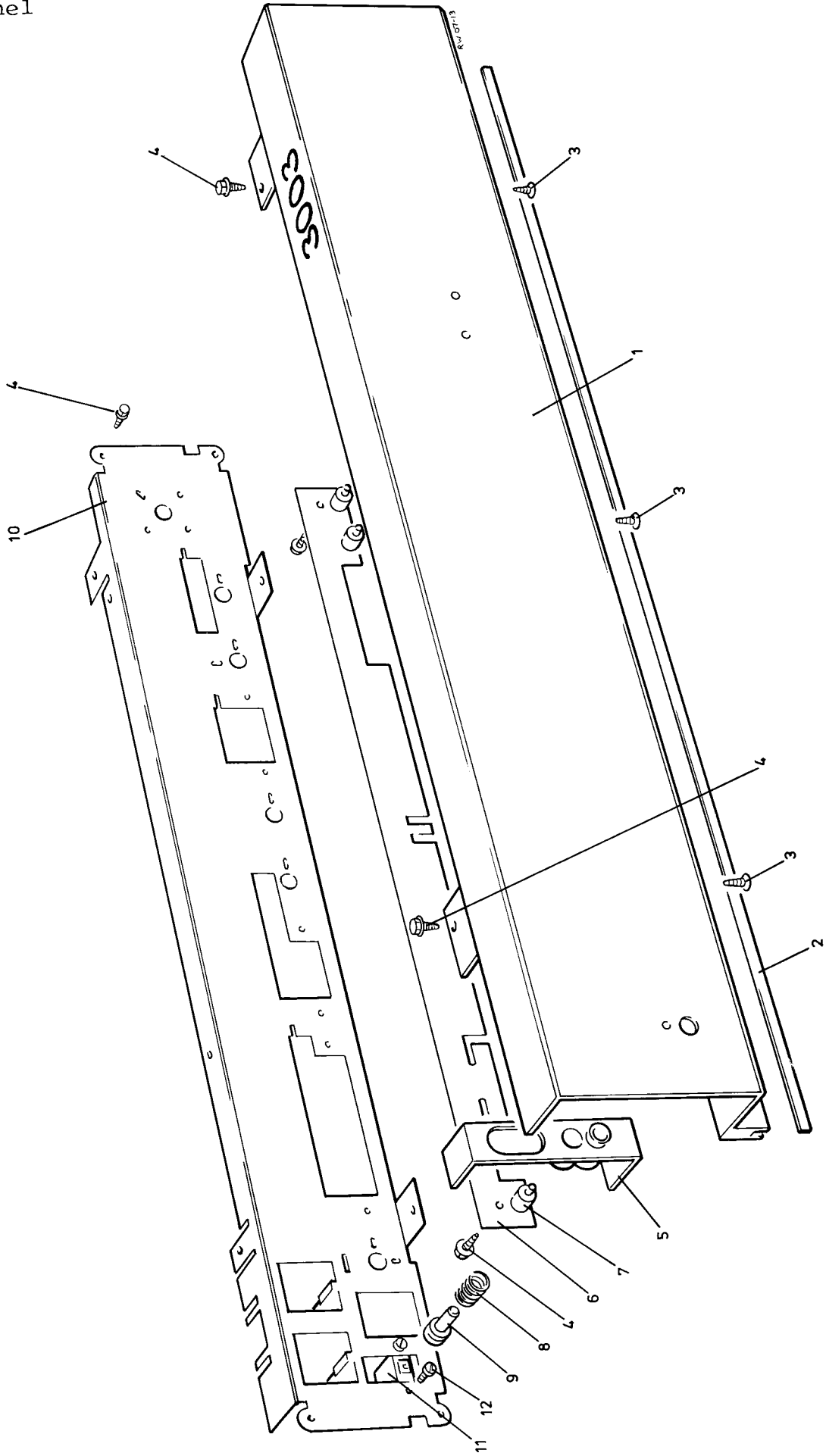
SPECIFY THIS WHEN ORDERING			Description (notes)	Reference
Index	Ordering No.	Beskrivelse (merknader)		
	*	Kabinett-enhet	Cabinet assembly	
1	375962	Skinne	Panel, front	
2	377916	Plate	Plate, top-front	
3	346854	Skrue	Screw, M3.5 x 6.3 hex hd, with collar	
4	377995	Skinne	Panel, back	
5	375883A	Plate	Plate, top	
6	375969	Skinne	Plate, side, left	
7	400602	Hylse	Spacer, black plastic	
8	401105	Skrue	Screw, M4 x 16 csk hd, black	
9	406816	Skinne	Plate, side, right	
10	376939	Plate	Plate, bottom	
			Extra side panels.	
11	408921	Plate	Panel, side	
12	405875	Vinkel	Bracket, side panel	
13	409661	Skrue	Screw, 3/8" No.4 csk hd, black	
14	400480	Avstandsstykke	Spacer, black plastic	
15	402786	Skrue	Screw, M4 x 25 csk hd, black	
			Extra 19" rack mount.	
16	408928	Brakett	Bracket, rack mount, left	
17	403533	Brakett	Bracket, rack mount, right	
18	405214	Håndtak	Handle	
19	404819	Skrue	Screw, M4 x 12 csk hd, black	

Chassis assembly - top view



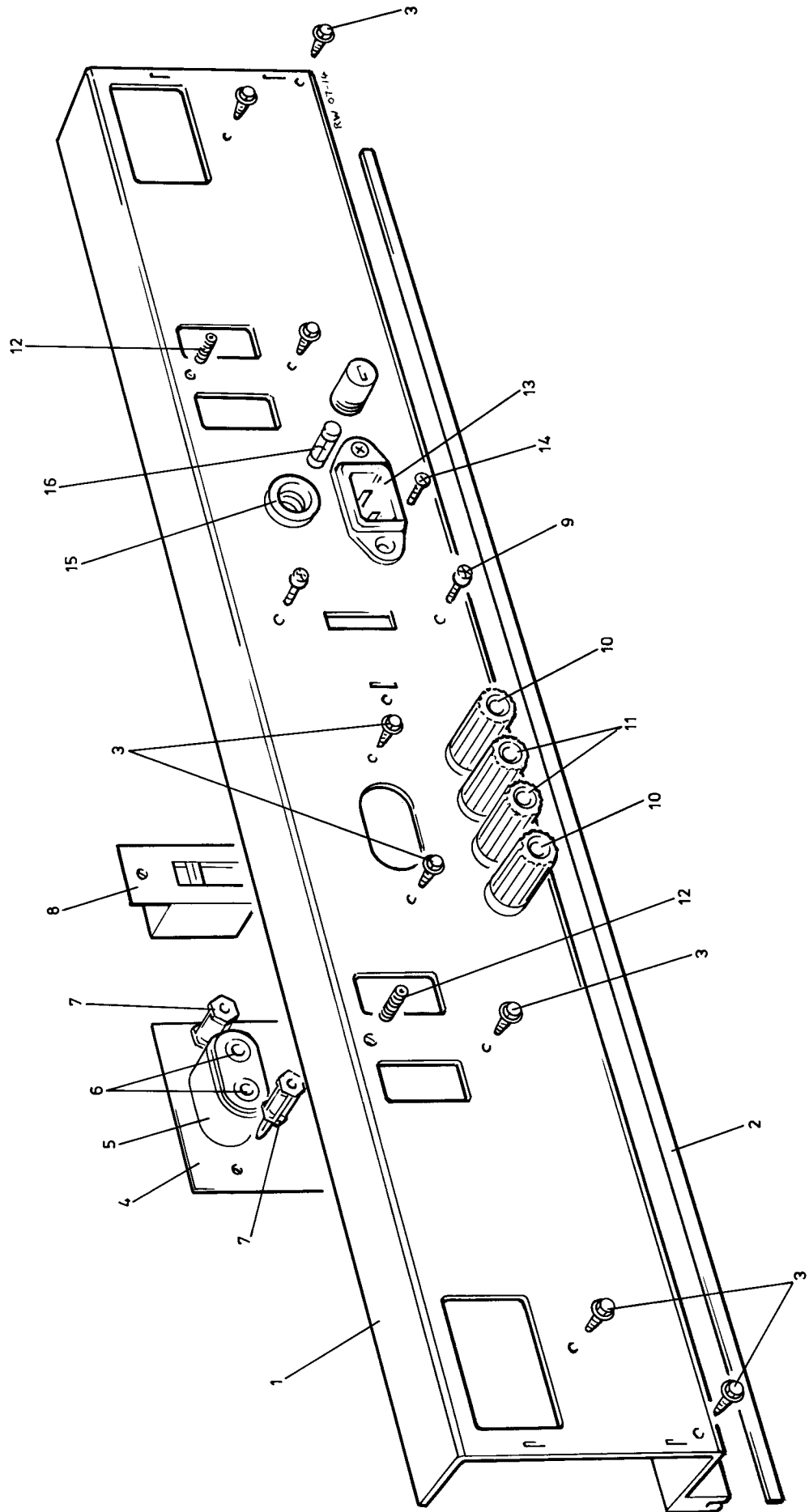
SPECIFY THIS WHEN ORDERING				
Index	Ordering No.	Beskrivelse (merknader)	Description (notes)	Reference
	*	Sjassis-enhet	Chassis assembly, top view	
1	375969	Skinne	Plate, side, left	
2	378433	Skinne	Plate, chassis, side, left	
3	406816	Skinne	Plate, side, right	
4	376752	Skinne	Plate, chassis, side, right	
5	996915	Kort	Board, power amplifier, left channel	
6	996916	Kort	Board, power amplifier, right channel	
7	378268	Holder	Clamp	
8	376221	Brakett	Bracket, terminal	
9	996922	Kort	Board, relay/rectifier	
10	375344	Kjøleribbe	Heatsink	
11	379705	Transformator	Transformer, TD0185	
12	405272	Kjøleribbe	Heatsink	
13	375610	Plate	Plate, chassis	
14	345389	Skrue	Screw, M3.5 x 9.5 hex hd, with collar	
15	996917	Kort	Board, output power (Not including index 12 and transistors)	
16	996919	Kort	Board, transistor	
17	376207	Fjær	Clamp, spring	
18	377730	Fjær	Clamp, spring	
19	213918	Skrue	Screw, M3 x 16 ch hd	
20	218609	Skive	Washer, M3.2	
21	996921	Kort	Board, speaker connector	

Front panel



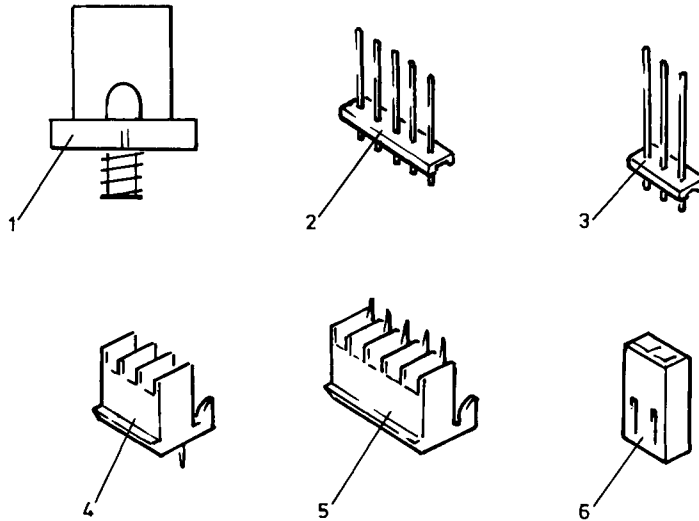
Index	SPECIFY THIS WHEN ORDERING		Description (notes)	Reference
	Ordering No.	Beskrivelse (merknader)		
	*	Frontskinne	Front panel	
1	375962	Skinne	Panel, front	
2	379030B	List	Strip, rubber	
3	307990	Skrue	Screw, plate, 3/8" No. 6 csk hd	
4	346854	Skrue	Screw, M3.5 x 6.3 hex hd, with collar	
5	376048	Hylse	Guide, push button knob	
6	996918	Kort	Board, LED, without diodes	
7	374425	Diode	Diode, SLP-132B, light emitting	
8	408023	Fjær	Spring	
9	376896A	Knapp	Knob, push button	POWER
10	376235	Plate	Plate, chassis	
11	370992	Bryter	Switch	POWER
12	212237	Skrue	Screw, M3 x 6 ch hd	

Back panel



SPECIFY THIS WHEN ORDERING				
Index	Ordering No.	Beskrivelse (merknader)	Description (notes)	Reference
	*	Bakskinne	Back panel	
1	377995	Skinne	Panel, back	
2	379030B	List	Strip, rubber	
3	345389	Skrue	Screw, M3.5 x 9.5 hex hd, with collar	
4	996921	Kort	Board, speaker connector	
5	379001	Hylse	Surround, phono socket, double	
6	371142	Kontakt	Socket, phono	INPUT
7	377528	Avstandsstykke	Spacer, TCBS-8N	
8	374152	Vender	Switch, voltage selector	
9	322817	Skrue	Screw, plate, 5/16" No. 4 pan hd, black	
10	379554	Kontakt	Socket, 4 mm, red, T-3025	SPEAKERS
11	375840	Kontakt	Socket, 4 mm, black, T-3025	SPEAKERS
12	400753	Skrue	Screw, set, M4 x 18	
13	374081	Kontakt	Socket, power, 6075-1	
14	262876	Skrue	Screw, plate, 1/4" No. 4 csk hd, black	
15	363909	Holder	Holder, fuse	
16	281165	Sikring	Fuse, 4 A, 5 x 20 mm, slow, 207-63	Europe
	377241	Sikring	Fuse, 8 A, 5 x 20 mm, slow, 19195	U.S.Å.

Switch and connectors



SPECIFY THIS WHEN ORDERING				
Index	Ordering No.	Beskrivelse (merknader)	Description (notes)	Reference
1	* 370992	Bryter Bryter	Switch Switch	POWER
2	* 375402 379116 378024	Kontakter Plint Plint Plint	Connectors Connector, fixed, 2 pole Connector, fixed, 3 pole Connector, fixed, 5 pole	Molex 3192A Molex 3192A Molex 3192A
3	378721	Plint	Connector, fixed, 3 pole	Molex 3192B
4	377040	Kontakt	Connector, fixed, 3 pole	Molex 2145B
5	376343	Kontakt	Connector, fixed, 5 pole	Molex 2145C
6	379640	Hus	Housing, terminal, 2 pole	Molex 3069

TANDBERG®
The European Alternative

Tandberg A/S, Post Office Box 53, 2007 Kjeller, Norway