

TC-WE405/WR350Z/WR661

SONY SERVICE MANUAL

US Model
Canadian Model
TC-WE405/WR350Z/WR661
AEP Model
UK Model
E Model
Australian Model
TC-WE405/WR661
Chinese Model
TC-WE405

SUPPLEMENT-1

File this supplement with the service manual.

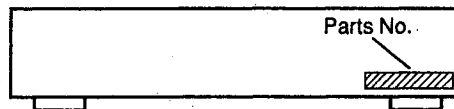
**Subject : 1. CORRECTION
2. MODEL ADDITION (TC-WR661 : Singapore, Australian model)
3. PARTS CHANGE**

(ECN-TC600191)

- The suffix of MAIN board has changed from suffix-**11** to **12**. The large change cannot be find with this change, so it is not notified.
The common changes of suffix-**11** and **12** are notified in this supplement.

MODEL IDENTIFICATION

— BACK PANEL —



TC-WE405

MODEL	PARTS No.
US	3-931-433-0□
CND	3-931-433-1□
AEP, G, MY, SP, CH	3-931-433-2□
UK	3-931-433-3□
E	3-931-433-4□
AUS	3-931-433-5□

TC-WR350Z

MODEL	PARTS No.
US	3-934-887-0□
CND	3-934-887-1□

TC-WR661

MODEL	PARTS No.
US	3-931-436-0□
CND	3-931-436-1□
AEP, G, IT	3-931-436-2□
UK	3-931-436-3□
E	3-931-436-4□
AUS	3-931-436-5□
SP	3-931-436-6□

- Abbreviation
CND : Canadian model.
G : German model.
IT : Italian model.
SP : Singapore model.
MY : Malaysia model.
AUS : Australian model.
CH : Chinese model.

1. CORRECTION

- Correct your Service Manual as shown below.

➤ : Indicates corrected portion

Page	INCORRECT	CORRECT																		
6	<p>Torque Measurement</p> <table border="1"> <thead> <tr> <th>Torque</th> <th>Torque meter</th> <th>Meter reading</th> </tr> </thead> <tbody> <tr> <td>FWD tension</td> <td>CQ-403Q</td> <td>100g • cm or more (1.39 oz • inch or more)</td> </tr> <tr> <td>REV tension</td> <td>CQ-403R</td> <td>100g • cm or more (1.39 oz • inch or more)</td> </tr> </tbody> </table>	Torque	Torque meter	Meter reading	FWD tension	CQ-403Q	100g • cm or more (1.39 oz • inch or more)	REV tension	CQ-403R	100g • cm or more (1.39 oz • inch or more)	<p>Torque Measurement</p> <table border="1"> <thead> <tr> <th>Torque</th> <th>Torque meter</th> <th>Meter reading</th> </tr> </thead> <tbody> <tr> <td>FWD tension</td> <td>CQ-403Q</td> <td>100g or more (3.53 oz or more)</td> </tr> <tr> <td>REV tension</td> <td>CQ-403R</td> <td>100g or more (3.53 oz or more)</td> </tr> </tbody> </table>	Torque	Torque meter	Meter reading	FWD tension	CQ-403Q	100g or more (3.53 oz or more)	REV tension	CQ-403R	100g or more (3.53 oz or more)
Torque	Torque meter	Meter reading																		
FWD tension	CQ-403Q	100g • cm or more (1.39 oz • inch or more)																		
REV tension	CQ-403R	100g • cm or more (1.39 oz • inch or more)																		
Torque	Torque meter	Meter reading																		
FWD tension	CQ-403Q	100g or more (3.53 oz or more)																		
REV tension	CQ-403R	100g or more (3.53 oz or more)																		
29	<p>Ref.No Part No Description Remark</p> <p>11 4-977-358-01 CUSHION (8X12.5) (WE405/WR350Z)</p> <p>*** EXPLODED VIEWS ***</p> <p>▲T901 429-387-11 TRANSFORMER, POWER (WE405:US, CND/WR350Z/WR661:US, CND)</p> <p>▲T901 429-388-11 TRANSFORMER, POWER (WE405:AEP, CH, MY, SP, UK, G, AUS/WR661:AEP, SP, UK, G, IT)</p> <p>▲T901 429-389-11 TRANSFORMER, POWER (WE405:E/WR661:E)</p> <p>▲VS901 692-155-11 SELECTOR, POWER VOLTAGE (WE405:E/WR661:E)</p>	<p>Ref.No Part No Description Remark</p> <p>11 4-977-358-01 CUSHION (8X12.5) (WE405/WR350Z)</p> <p>*** EXPLODED VIEWS *** not supplied</p> <p>▲T901 1-429-387-11 TRANSFORMER, POWER (WE405:US, CND/WR350Z/WR661:US, CND)</p> <p>▲T901 1-429-388-11 TRANSFORMER, POWER (WE405:AEP, CH, MY, SP, UK, G, AUS/WR661:AEP, SP, UK, G, IT)</p> <p>▲T901 1-429-389-11 TRANSFORMER, POWER (WE405:E/WR661:E)</p> <p>▲VS901 1-692-155-11 SELECTOR, POWER VOLTAGE (WE405:E/WR661:E)</p>																		

NOTE:

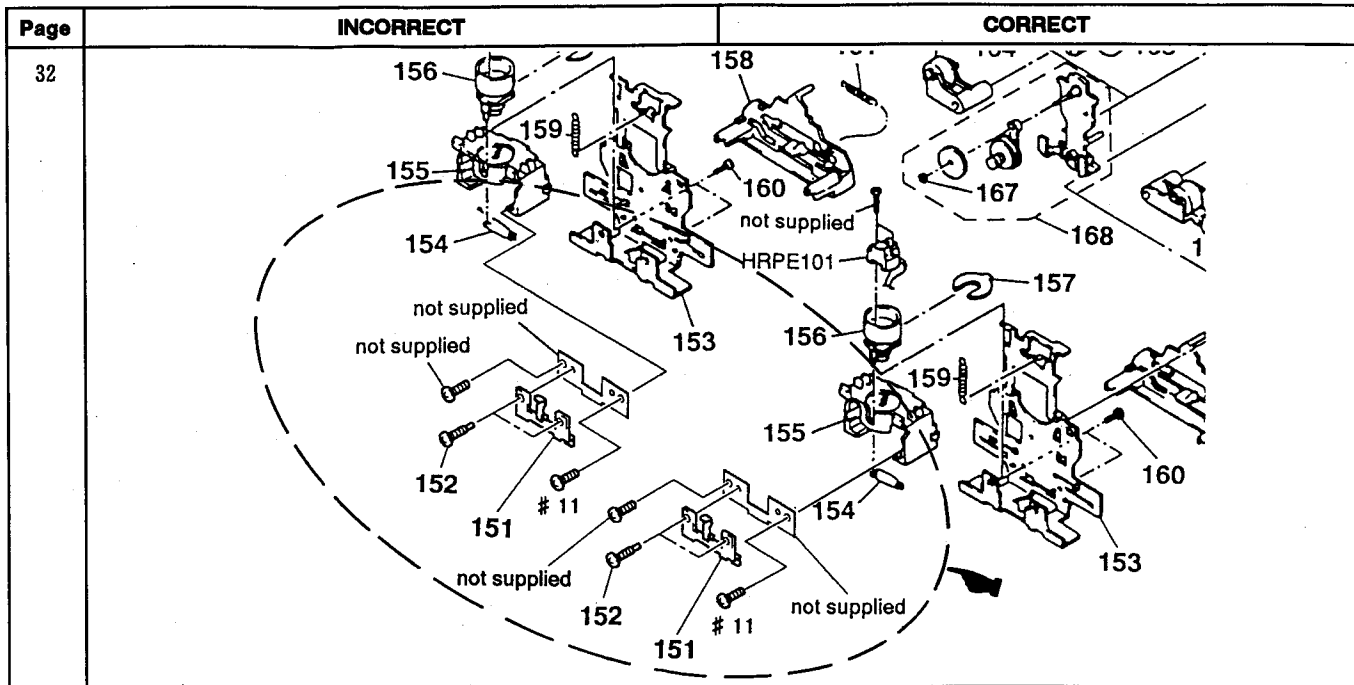
- Abbreviation
- CND : Canadian model
- G : German model
- IT : Italian model
- SP : Singapore model
- MY : Malaysia model
- AUS : Australian model
- CH : Chinese model

The components identified by mark ▲ or dotted line with mark ▲ are critical for safety. Replace only with part number specified.

Les composants identifiés par une marque ▲ sont critiques pour la sécurité. Ne les remplacer que par une pièce portant le numéro spécifié.

The components identified by mark Δ or dotted line with mark Δ are critical for safety. Replace only with part number specified.

Les composants identifiés par une marque Δ sont critiques pour la sécurité. Ne les remplacer que par une pièce portant le numéro spécifié.



41	Ref. No	Part No	Description	Remark	Ref. No	Part No	Description	Remark
			*** MISCELLANEOUS ***				*** MISCELLANEOUS ***	
	Δ T901	429-387-11	TRANSFORMER, POWER (WE405:US, CND/WR350Z/WR661:US, CND)		Δ T901	1-429-387-11	TRANSFORMER, POWER (WE405:US, CND/WR350Z/WR661:US, CND)	
	Δ T901	429-388-11	TRANSFORMER, POWER (WE405:AEP, CH, MY, SP, UK, G, AUS/WR661:AEP, SP, UK, G, IT)		Δ T901	1-429-388-11	TRANSFORMER, POWER (WE405:AEP, CH, MY, SP, UK, G, AUS/WR661:AEP, SP, UK, G, IT)	
	Δ T901	429-389-11	TRANSFORMER, POWER (WE405:E/WR661:E)		Δ T901	1-429-389-11	TRANSFORMER, POWER (WE405:E/WR661:E)	
	Δ VS901	692-155-11	SELECTOR, POWER VOLTAGE (WE405:E/WR661:E)		Δ VS901	1-692-155-11	SELECTOR, POWER VOLTAGE (WE405:E/WR661:E)	

ACCESSORIES & PACKING MATERIALS (Revised including corrections and addition of models.)

Page	CURRENT				REVISED			
	Ref. No	Part No	Description	Remark	Ref. No	Part No	Description	Remark
41		1-551-734-11	CORD, CONNECTION (158cm AUDIO)			1-551-734-11	CORD, CONNECTION (158cm AUDIO)	
		3-810-312-11	MANUAL, INSTRUCTION (ENGLISH) (WE405:US, CND, UK, AUS/WR350Z/WR661:US, CND)			3-810-312-11	MANUAL, INSTRUCTION (ENGLISH) (WE405:US, CND, UK, AUS/WR350Z/WR661:US, CND, UK, AUS)	
		3-810-312-21	MANUAL, INSTRUCTION (FRENCH) (CND)			3-810-312-21	MANUAL, INSTRUCTION (FRENCH) (CND)	
		3-810-312-31	MANUAL, INSTRUCTION (ENGLISH, FRENCH, SPANISH, PORTUGUESE) (WE405:AEP, CH, MY, SP, E)			3-810-312-31	MANUAL, INSTRUCTION (ENGLISH, FRENCH, SPANISH, PORTUGUESE) (WE405:AEP, E/WR661:AEP, SP, E)	
		3-810-312-41	MANUAL, INSTRUCTION (GERMAN, DUTCH, SWEDISH, ITALIAN) (WE405:AEP, CH, MY, SP)			3-810-312-41	MANUAL, INSTRUCTION (GERMAN, DUTCH, SWEDISH, ITALIAN) (WE405:AEP/WR661:AEP)	
		3-810-312-51	MANUAL, INSTRUCTION (GERMAN) (WE405:G)			3-810-312-51	MANUAL, INSTRUCTION (GERMAN) (WE405:G/WR661:G)	
		3-810-312-61	MANUAL, INSTRUCTION (CHINESE) (WE405:E)			3-810-312-61	MANUAL, INSTRUCTION (CHINESE) (WE405:AEP, E, CH/WR661:SP, E)	
		3-810-312-71	MANUAL, INSTRUCTION (ARABIC) (WR661:E)			3-810-312-71	MANUAL, INSTRUCTION (ARABIC) (WR661:E)	
	*	3-932-083-01	CUSHION		*	3-932-083-01	CUSHION	
	*	3-932-085-01	INDIVIDUAL CARTON (WE405/WR350Z:CND)		*	3-932-085-01	INDIVIDUAL CARTON (WR350Z:CND)	
	*	3-932-086-01	INDIVIDUAL CARTON (WR661:AEP, UK, G, IT)		*	3-932-086-01	INDIVIDUAL CARTON (WR661:AEP, UK, G, IT)	
	*	3-932-087-01	INDIVIDUAL CARTON (WR350Z:US)		*	3-932-087-01	INDIVIDUAL CARTON (WR350Z:US)	
	*	3-934-928-01	INDIVIDUAL CARTON (WR661:US, CND)		*	3-934-927-01	INDIVIDUAL CARTON (WE405)	
					*	3-934-928-01	INDIVIDUAL CARTON (WR661:US)	
					*	3-936-956-01	INDIVIDUAL CARTON (WR661:CND, SP, E, AUS)	

2. MODEL ADDITION (TC-WR661: Singapore, Australian model)

• For detailed SP, AUS model, refer to E model.

Difference table

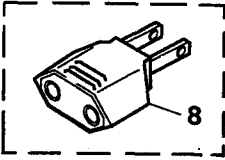
Page	TC-WR661: E model				TC-WR661: SP, AUS model			
	Ref.No	Part No	Description	Remark	Ref.No	Part No	Description	Remark
29	*** EXPLODED VIEWS ***				*** EXPLODED VIEWS ***			
	* 4	A-2007-487-A	MAIN BOARD, COMPLETE (WR661:E)		* 4	A-2007-487-A	MAIN BOARD, COMPLETE (WR661:SP, E)	
	* 6	3-703-571-11	BUSHING (S) (4516), CORD (WR661:E)		* 6	3-703-244-00	BUSHING (2104), CORD (WR661:SP, AUS)	
	△7	1-696-027-11	CORD, POWER (WR661:E)		△7	1-575-651-21	CORD, POWER (WR661:SP, AUS)	
	△8	1-569-007-11	ADAPTER, CONVERSION 2P (WR661:E)					
	* 9	3-931-436-42	PANEL, BACK (WR661:E)		* 9	3-931-436-51	PANEL, BACK (WR661:AUS)	
					* 9	3-931-436-61	PANEL, BACK (WR661:SP)	
	△T901	1-429-389-11	TRANSFORMER, POWER (WR661:E)		△T901	1-429-388-11	TRANSFORMER, POWER (WR661:AUS)	
	△VS901	1-692-155-11	SELECTOR, POWER VOLTAGE (WR661:E)		△T901	1-429-389-11	TRANSFORMER, POWER (WR661:SP, E)	
					△VS901	1-692-155-11	SELECTOR, POWER VOLTAGE (WR661:SP, E)	
34	*** ELECTRICAL PARTS LIST ***				*** ELECTRICAL PARTS LIST ***			
	*	A-2007-487-A	MAIN BOARD, COMPLETE (WR661:E)		*	A-2007-487-A	MAIN BOARD, COMPLETE (WR661:SP, E)	
					*	A-2007-590-A	MAIN BOARD, COMPLETE (AUS)	
35	CN703	1-568-106-11	PIN, CONNECTOR 4P (WR661:E)		CN703	1-568-106-11	PIN, CONNECTOR 4P (WR661:SP, E)	
38	△T901	1-429-389-11	TRANSFORMER, POWER (WR661:E)		△T901	1-429-388-11	TRANSFORMER, POWER (WR661:AUS)	
					△T901	1-429-389-11	TRANSFORMER, POWER (WR661:SP, E)	
41	*** MISCELLANEOUS ***				*** MISCELLANEOUS ***			
	△7	1-696-027-11	CORD, POWER (WR661:E)		△7	1-575-651-21	CORD, POWER (WR661:SP, AUS)	
	△8	1-569-007-11	ADAPTER, CONVERSION 2P (WR661:E)					
	△T901	1-429-389-11	TRANSFORMER, POWER (WR661:E)		△T901	1-429-388-11	TRANSFORMER, POWER (WR661:AUS)	
					△T901	1-429-389-11	TRANSFORMER, POWER (WR661:SP, E)	
	△VS901	1-692-155-11	SELECTOR, POWER VOLTAGE (WR661:E)		△VS901	1-692-155-11	SELECTOR, POWER VOLTAGE (WR661:SP, E)	
<p>Note: Refer to CORRECTION on page 3 about the ACCESSORIES & PACKING MATERIALS.</p>								

NOTE:

- Abbreviation
- SP : Singapore model
- AUS : Australian model

The components identified by mark △ or dotted line with mark △ are critical for safety. Replace only with part number specified.

3. PARTS CHANGE

Page	FORMER				NEW			
	Ref.No	Part No	Description	Remark	Ref.No	Part No	Description	Remark
29	*** EXPLODED VIEWS ***				*** EXPLODED VIEWS ***			
					△8	1-569-008-21	ADAPTER, CONVERSION 2P (WE405:CH)	
								
					(WE405: CH)			
30	59	4-977-358-01	CUSHION (8X12.5)		59	4-977-358-11	CUSHION (8X12.5)	
	68	1-769-950-11	WIRE (FLAT TYPE) (11 CORE)		68	1-765-325-11	WIRE (FLAT TYPE) (11 CORE)	
35	*** MAIN BOARD, COMPLETE ***				*** MAIN BOARD, COMPLETE ***			
	C813	1-137-446-11	FILM 0.18uF 5% 50V		C813	1-136-168-00	FILM 0.18uF 5% 50V	
	CNF803	1-568-838-11	SOCKET, CONNECTOR 21P		CNF803	1-695-344-11	SOCKET, CONNECTOR 21P	
	* CNF804	1-568-830-11	SOCKET, CONNECTOR 11P		* CNF804	1-695-334-11	SOCKET, CONNECTOR 11P	
	* CNF805	1-568-830-11	SOCKET, CONNECTOR 11P		* CNF805	1-695-334-11	SOCKET, CONNECTOR 11P	
	* CNF806	1-568-830-11	SOCKET, CONNECTOR 11P		* CNF806	1-695-334-11	SOCKET, CONNECTOR 11P	
36	R510	1-247-807-31	CARBON 10 5% 1/4W		R510	JUMPER WIRE		
37	R714	1-249-428-11	CARBON 8.2K 5% 1/4W F		R714	1-249-429-11	CARBON 10K 5% 1/4W F	
	△R723	1-217-371-00	FUSIBLE 0.47 10% 1/4W		△R723	1-219-138-91	FUSIBLE 0.47 10% 1/4W	
	R836	1-249-426-11	CARBON 5.6K 5% 1/4W (WE405)		R836	1-249-427-11	CARBON 6.8K 5% 1/4W F(WE405)	
41	*** MISCELLANEOUS ***				*** MISCELLANEOUS ***			
	68	1-769-950-11	WIRE (FLAT TYPE) (11 CORE)		△8	1-569-008-21	ADAPTER, CONVERSION 2P (WE405:CH)	
					68	1-765-325-11	WIRE (FLAT TYPE) (11 CORE)	

NOTE:

- Abbreviation
- SP : Singapore model
- MY : Malaysia model
- CH : Chinese model

The components identified by mark △ or dotted line with mark △ are critical for safety. Replace only with part number specified.

Les composants identifiés par une marque △ sont critiques pour la sécurité. Ne les remplacer que par une pièce portant le numéro spécifié.