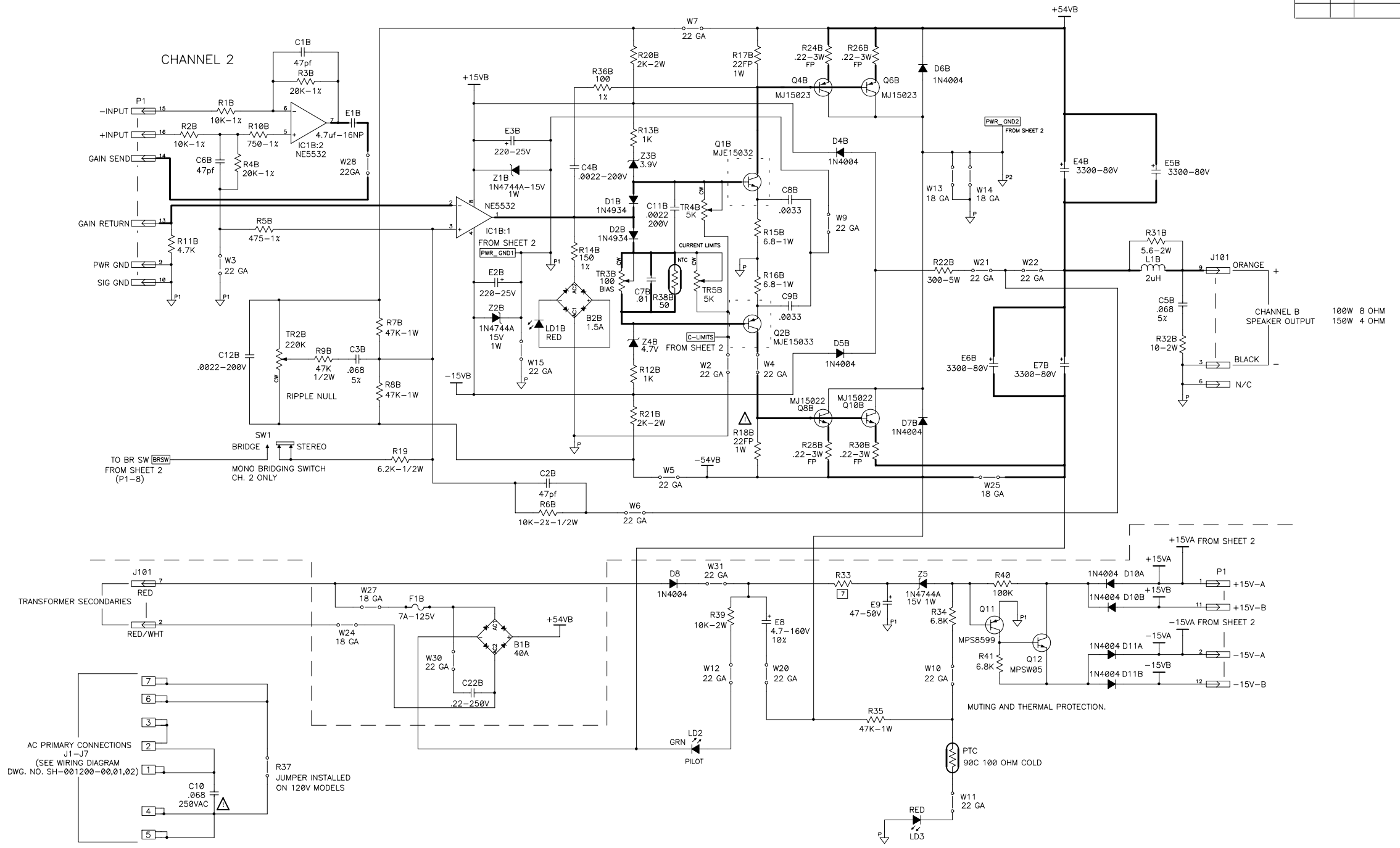


THIS DOCUMENT CONTAINS PROPRIETARY INFORMATION WHICH IS THE PROPERTY OF QSC AUDIO PRODUCTS. THAT MAY NOT BE DISCLOSED, REPRODUCED OR USED WITHOUT EXPRESS WRITTEN CONSENT FROM QSC AUDIO PRODUCTS.

REVISIONS				
ZONE	REV	DESCRIPTION	DATE	APPROVED



- 7 FOR COMPONENT VALUE, REFER TO TABULATION BLOCK
6. ALL RESISTORS MARKED *FP* ARE FLAMEPROOF CONSTRUCTION AND MINIMUM OF 1/2W.
5. REPLACE PARTS MARKED Δ AND FP WITH SAME TYPE ONLY FOR CONTINUED SAFETY.
4. HEAVY LINE SHOWS MAIN SIGNAL PATH.
3. USE QSC REPLACEMENT TRANSISTORS ONLY.
2. ALL CAPACITORS IN μ F, 100V, 10% TOLERANCE NON-ELECTROLYTIC AND 20% ELECTROLYTIC.
1. ALL RESISTOR VALUES ARE IN OHMS 5%, 1/4W,

NOTES: UNLESS OTHERWISE SPECIFIED

SW1	SW2
TR5	TR1
W31	
R43	R25,27,29,31,37,42
Q12	Q5,7,9,11
LD3	
U1	
F1	
D16	D3,9
C21	
B2	
LAST USED	NOT USED
REFERENCE DESIGNATION	
BOTH A & B CHANNEL	

TABULATION BLOCK 7	
MODEL (V)	R33
1200(230 SEMKO)	120K
1200(230 EXP)	120K
1200(120 DOM)	180K

9 PIN PCB CONNECTOR (P1)
 QUICK DISCONNECT TERMINALS (J1-J7)
 JACK PLANE 16 PIN HEADER CONNECTION (P2)

QTY	ITEM NO.	PART NO.	DESCRIPTION	VENDOR
PARTS LIST				
UNLESS OTHERWISE SPECIFIED DIMENSIONS ARE IN INCHES. DIMENSIONS PER ANSI Y14.5-1982 TOLERANCES ARE:			CONTRACT NO.	
DECIMALS	DECIMALS	ANGLES	APPROVALS	DATE
.xx ±	.xxx ±	0	DRAWN	10-14-85
DEBURR EDGES .XXX R MAX MATERIAL			CHECKED	
FINISH			ISSUED	SGM
NEXT ASSY			CAD SEED FILE NO.	NONE
APPLICATION			SCALE	NONE
DO NOT SCALE DRAWING			CAD FILE NO.	USA488SCH.sch

QSC AUDIO PRODUCTS, INC.
 COSTA MESA, CALIFORNIA

SCHEMATIC DIAGRAM
MAIN BOARD, USA400 AMP

DWG NO. **SH-120301-GX** REV **S1**

SHEET 1 OF 2

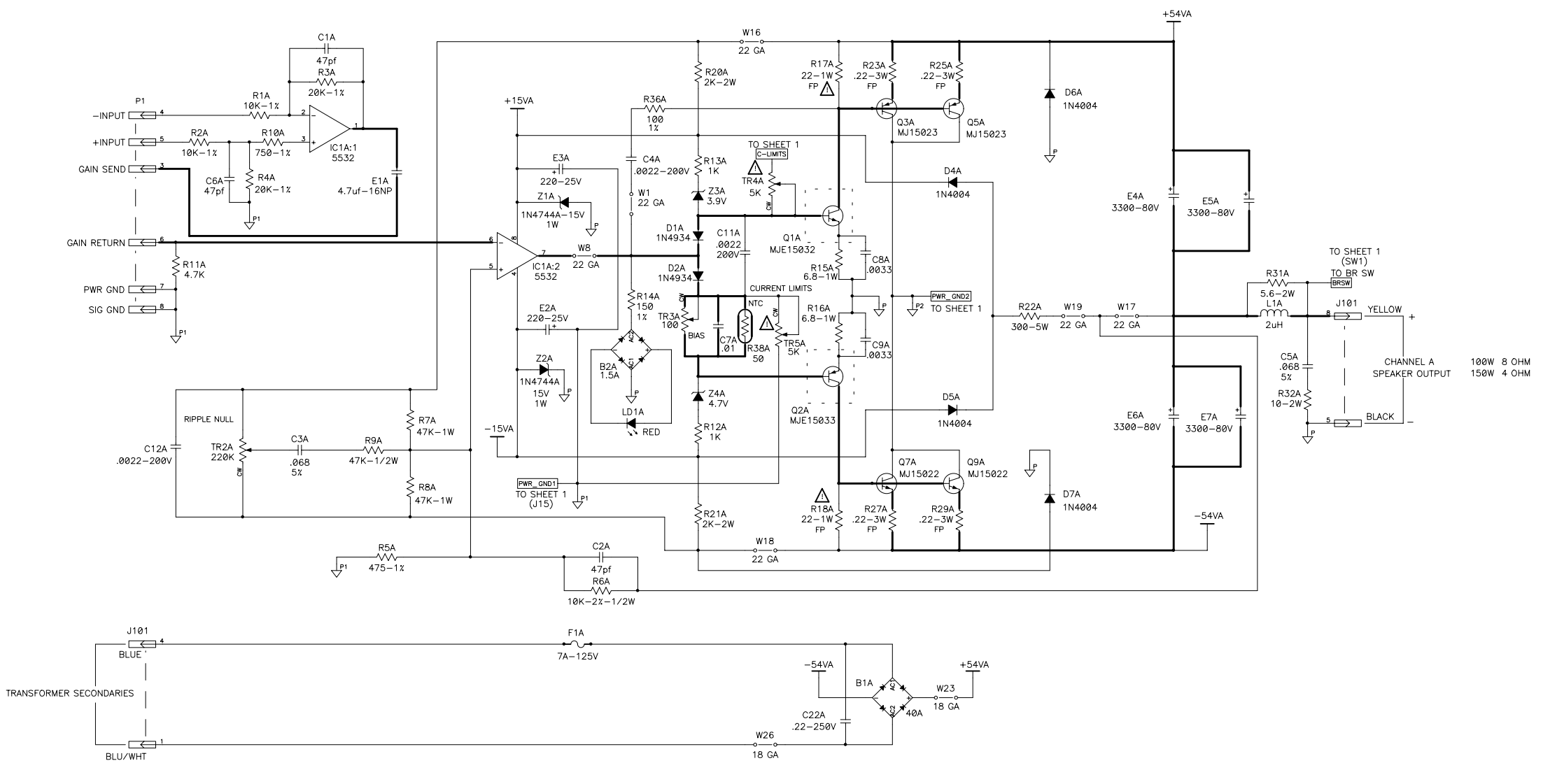
OBSOLETE

SH-120301-GX

THIS DOCUMENT CONTAINS PROPRIETARY INFORMATION WHICH IS THE PROPERTY OF QSC AUDIO PRODUCTS. THAT MAY NOT BE DISCLOSED, REPRODUCED OR USED WITHOUT EXPRESS WRITTEN CONSENT FROM QSC AUDIO PRODUCTS.

SCHEMATIC, MAIN BOARD, 1200 AMP

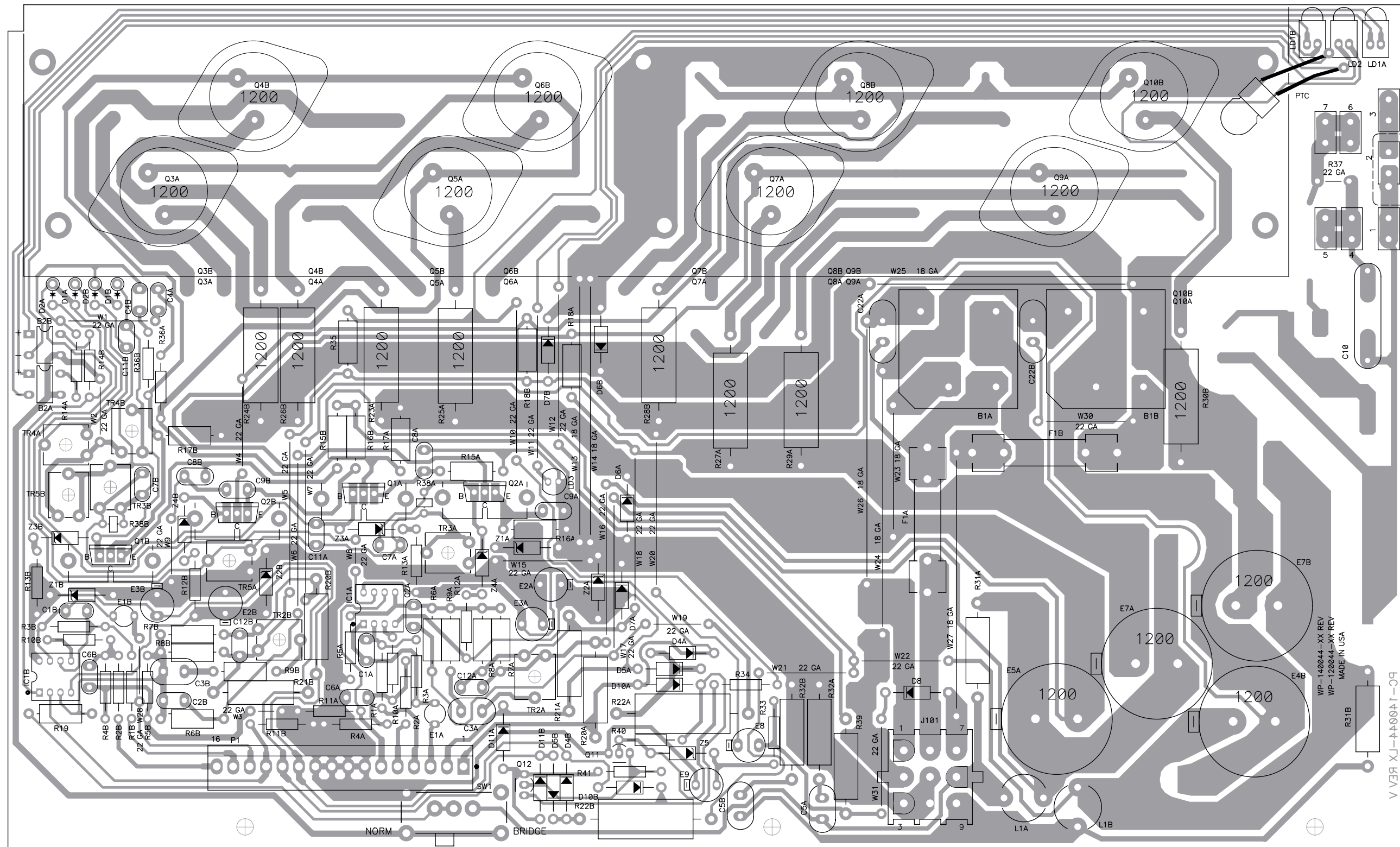
CHANNEL 1



NOTES: UNLESS OTHERWISE SPECIFIED

SIZE	FSCM NO.	DWG NO.	REV
D		SH-120301-GX	S
SCALE	NONE	CAD FILE NO. SH1200R1.SCH	SHEET 2 OF 2

SH-120301-GX 2



WP-140944-XX REV
WP-120944-XX REV
MADE IN USA

PC-140944-TX REV A

