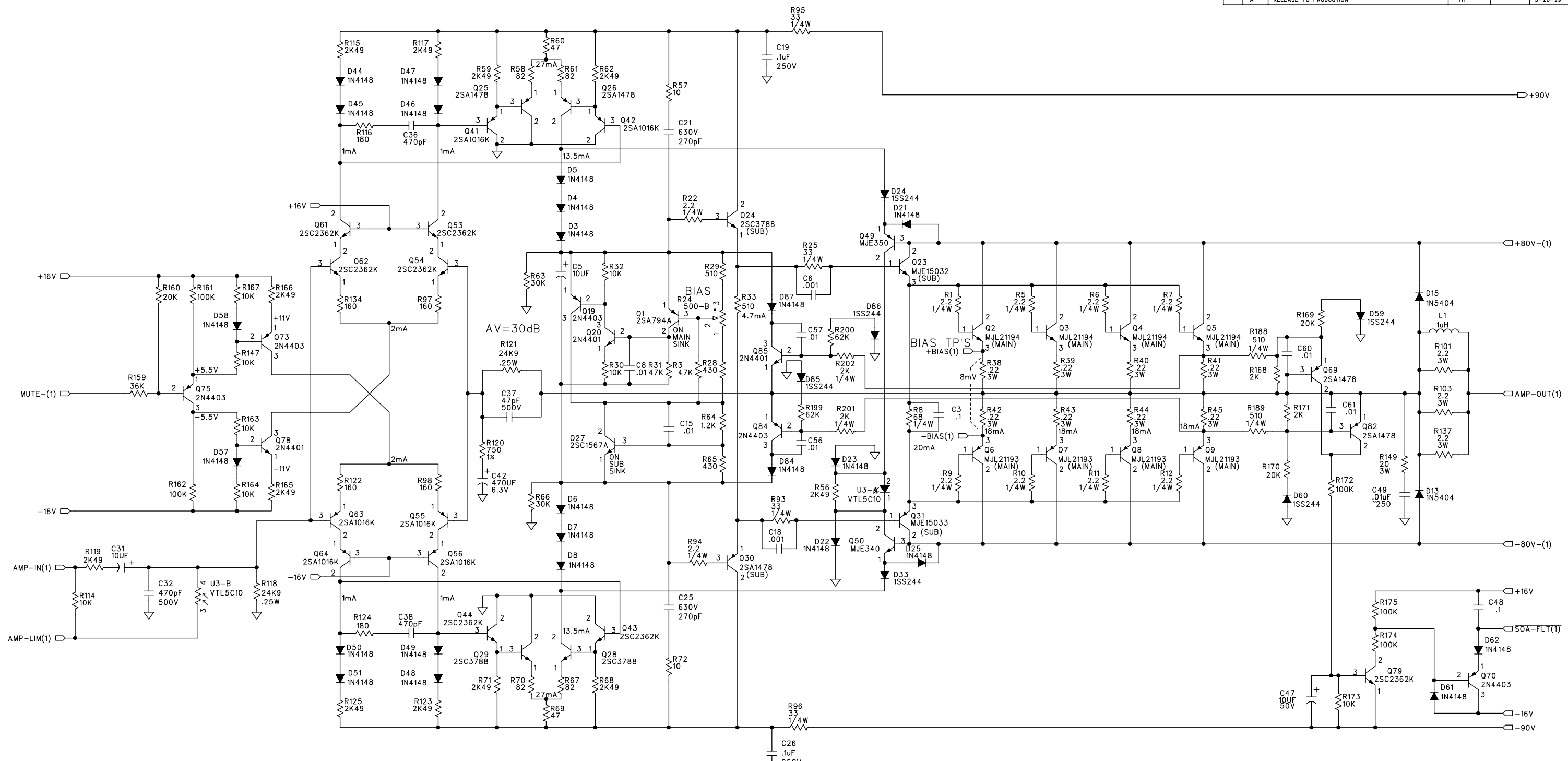


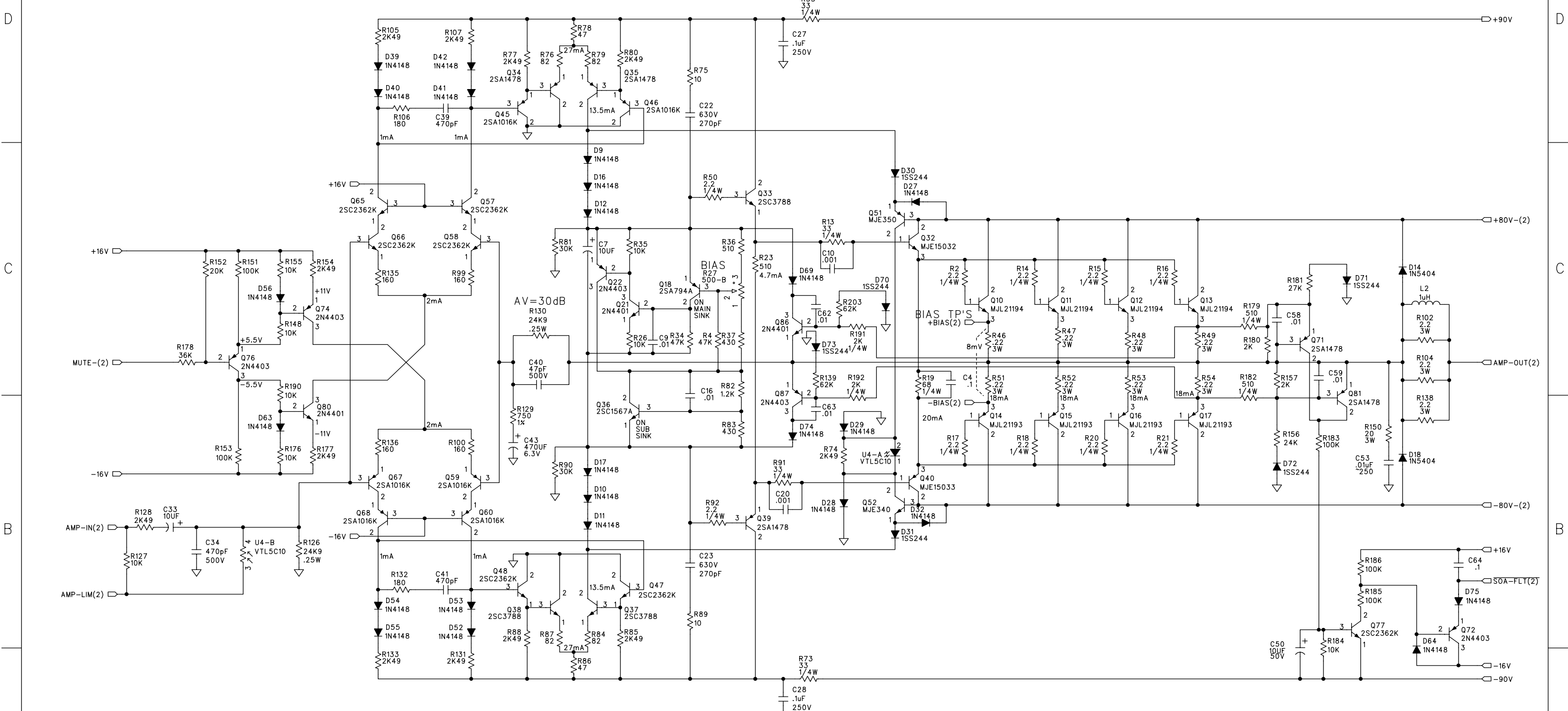
DWG. NO.	990-255-00	SHT	1	REV:	A	1
REV:	ECO#	DESCRIPTION	REV. BY:	APP. BY:	DATE	
1		MADE FROM 990-081-00 W/ DESIGNS CHANGES. INCORP ECOS: 1092,1098, 1142, 1170, 1203, 104, 1359, 1400, 1433 218, 2134	WGW		2-12-99	
A		RELEASE TO PRODUCTION	TH		3-28-99	



- 450-255-00 PCB, MAIN M-1400-S2
- 400-080-00 FUSE CLIP PC MT 5mm DIA
- 400-129-00 FUSE CLIP PC MT .25" DIA

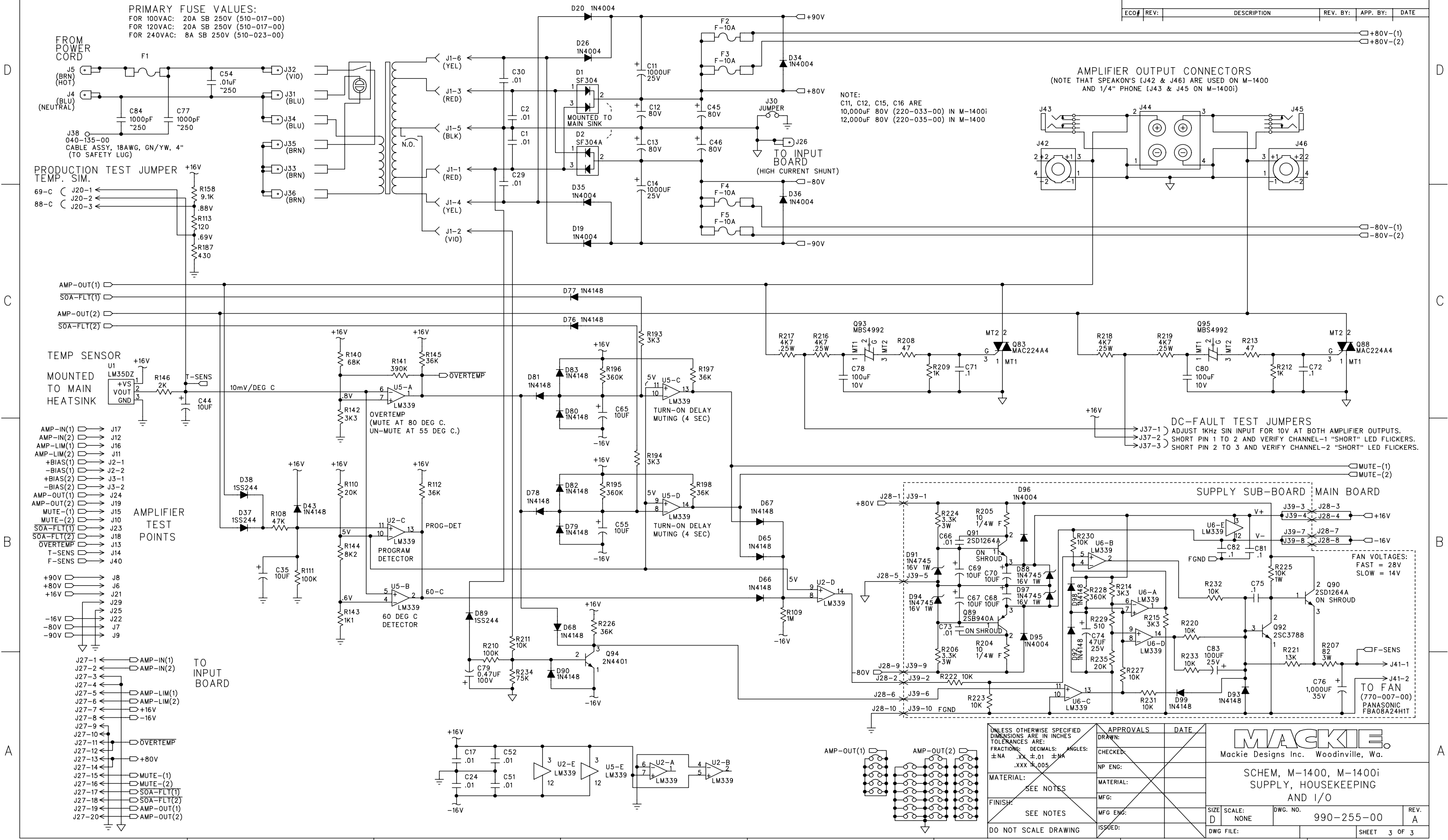
UNLESS OTHERWISE SPECIFIED DIMENSIONS ARE IN INCHES TOLERANCES ARE: FRACTIONS: DECIMALS: ANGLES: ±NA .XX ±.01 ±NA .XXX ±.005	APPROVALS DRAWN: Cam Jones CHECKED: NP ENG: MATERIAL: MFG: MFG ENG: ISSUED:	DATE 1-22-99
MATERIAL: SEE NOTES		
FINISH: SEE NOTES		
DO NOT SCALE DRAWING		

MACKIE Mackie Designs Inc. Woodinville, Wa.	
SCHEM, M-1400, M-1400i CH-1 MAIN AMP	
SIZE: D	SCALE: NONE
DWG. NO. 990-255-00	REV. A
DWG FILE:	SHEET 1 OF 3



UNLESS OTHERWISE SPECIFIED DIMENSIONS ARE IN INCHES TOLERANCES ARE: FRACTIONS: DECIMALS: ANGLES: $\pm NA$.XX $\pm .01$ $\pm NA$.XXX $\pm .005$	APPROVALS	DATE	
	DRAWN:		
	CHECKED:		
	NP ENG:		
	MATERIAL:		
SEE NOTES	MATERIAL:		SCHEM, M-1400, M-1400i CH-2 MAIN AMP
FINISH:	MFG:		
SEE NOTES	MFG ENG:		
DO NOT SCALE DRAWING	ISSUED:		
SIZE D	SCALE: NONE	DWG. NO. 990-255-00	REV. A
DWG FILE:			SHEET 2 OF 3

ECO#	REV.	DESCRIPTION	REV. BY:	APP. BY:	DATE



APPROVALS		DATE
CHECKED:		
NP ENG:		
MATERIAL:		
MFG:		
MFG ENG:		
ISSUED:		

UNLESS OTHERWISE SPECIFIED DIMENSIONS ARE IN INCHES
 TOLERANCES ARE:
 FRACTIONS: DECIMALS: ANGLES:
 ±NA .XX ±.01 ±NA
 .XXX ±.005

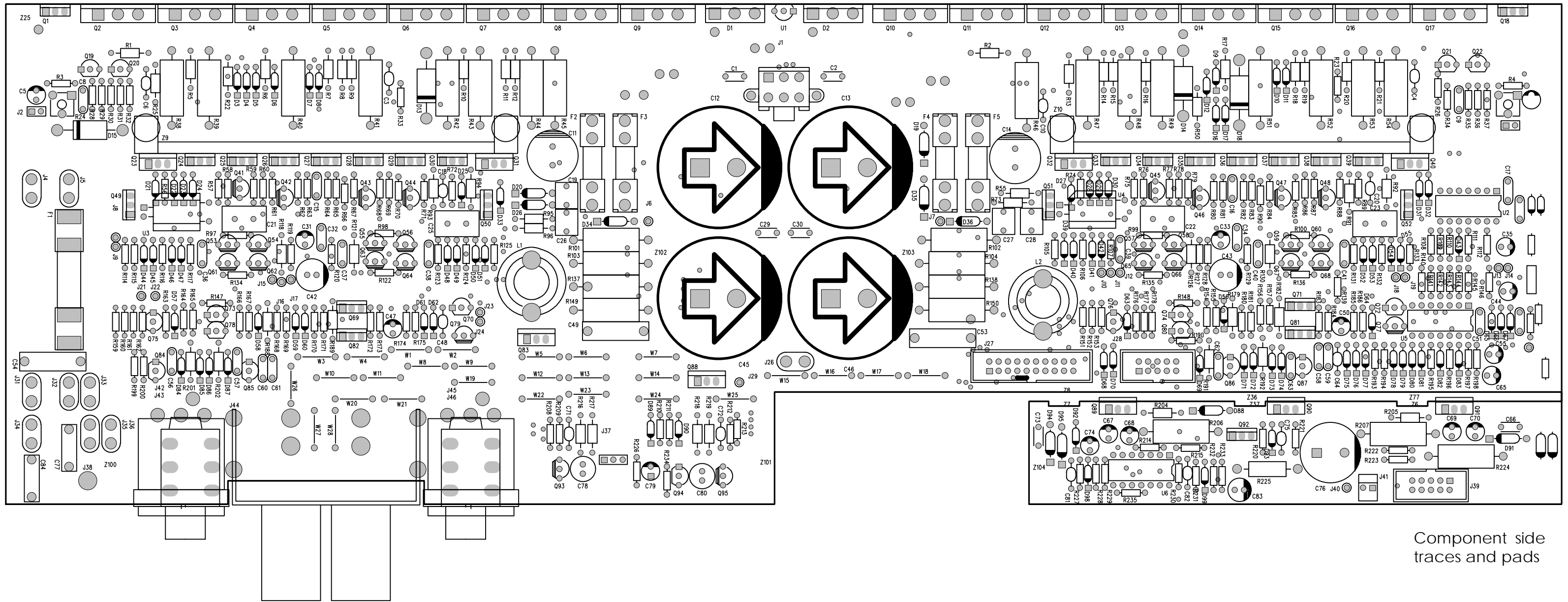
MATERIAL: SEE NOTES
FINISH: SEE NOTES

DO NOT SCALE DRAWING

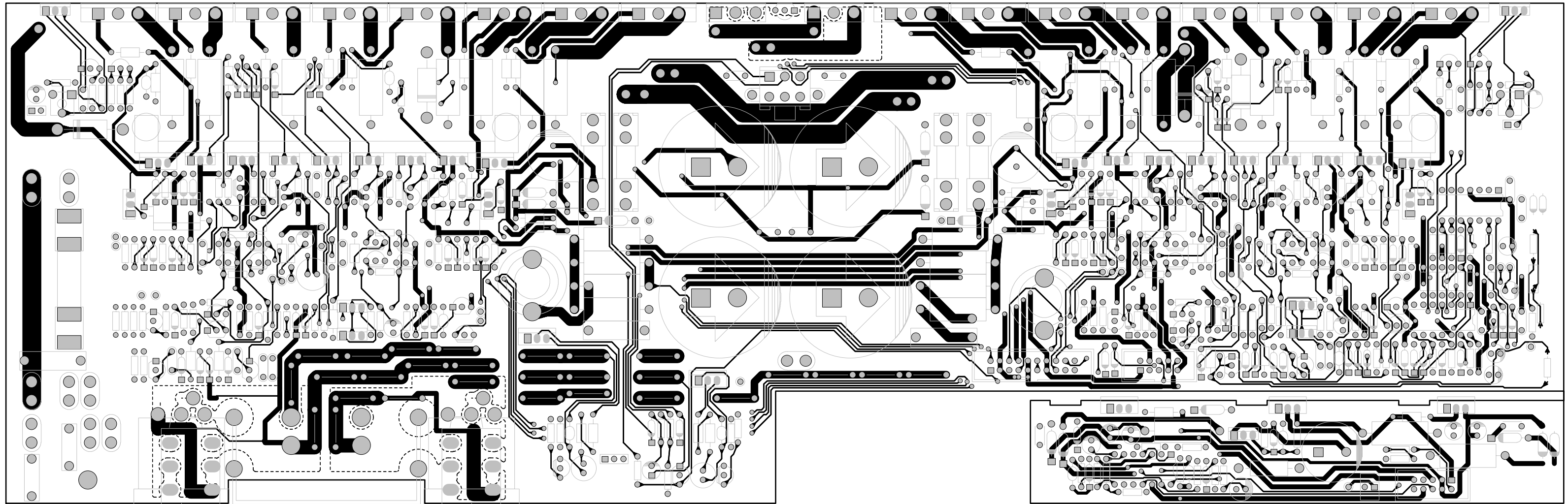
MACKIE
 Mackie Designs Inc. Woodinville, Wa.

SCHEM, M-1400, M-1400i
 SUPPLY, HOUSEKEEPING
 AND I/O

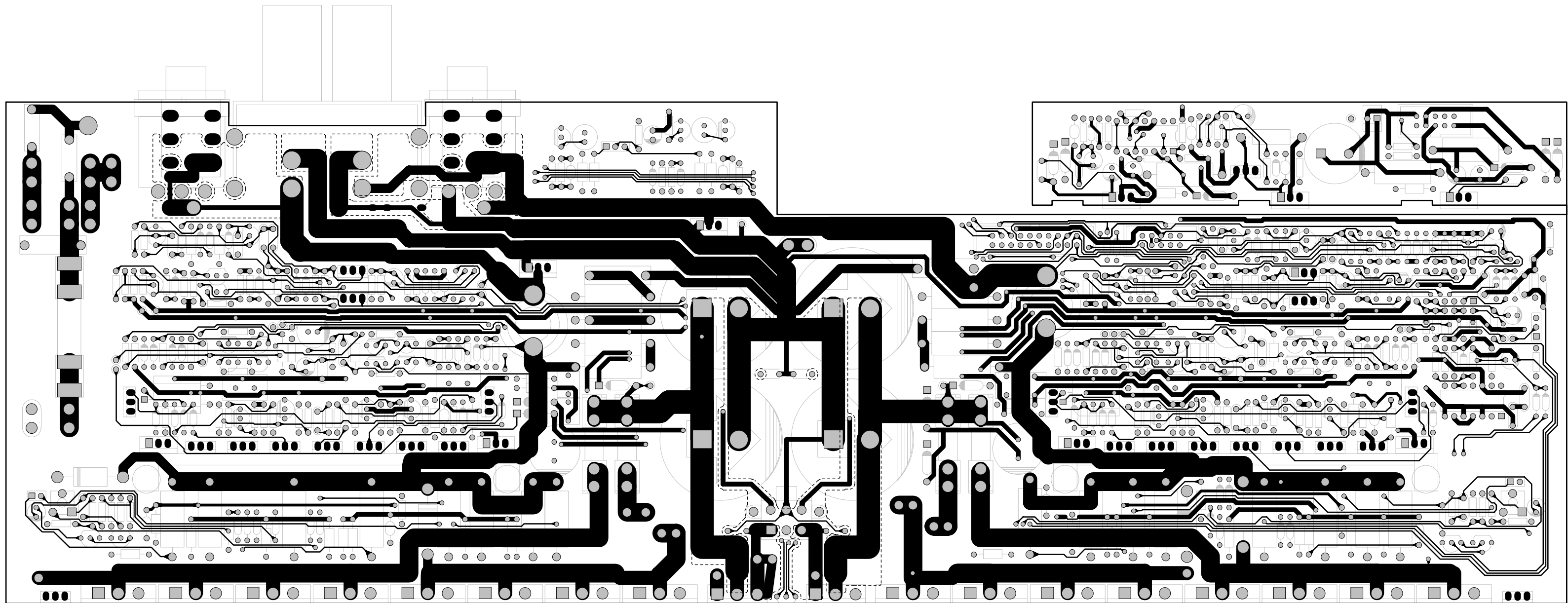
SIZE: D SCALE: NONE DWG. NO. 990-255-00 REV. A
 DWG FILE: SHEET 3 OF 3



Component side
traces and pads



Component side
traces and pads



Solder side
traces and pads