

PB. AMP P.C. BOARD ND-5037

REC. AMP & OSC. P.C. BOARD MU-5016

E.Q. P.C. BOARD MU-5018

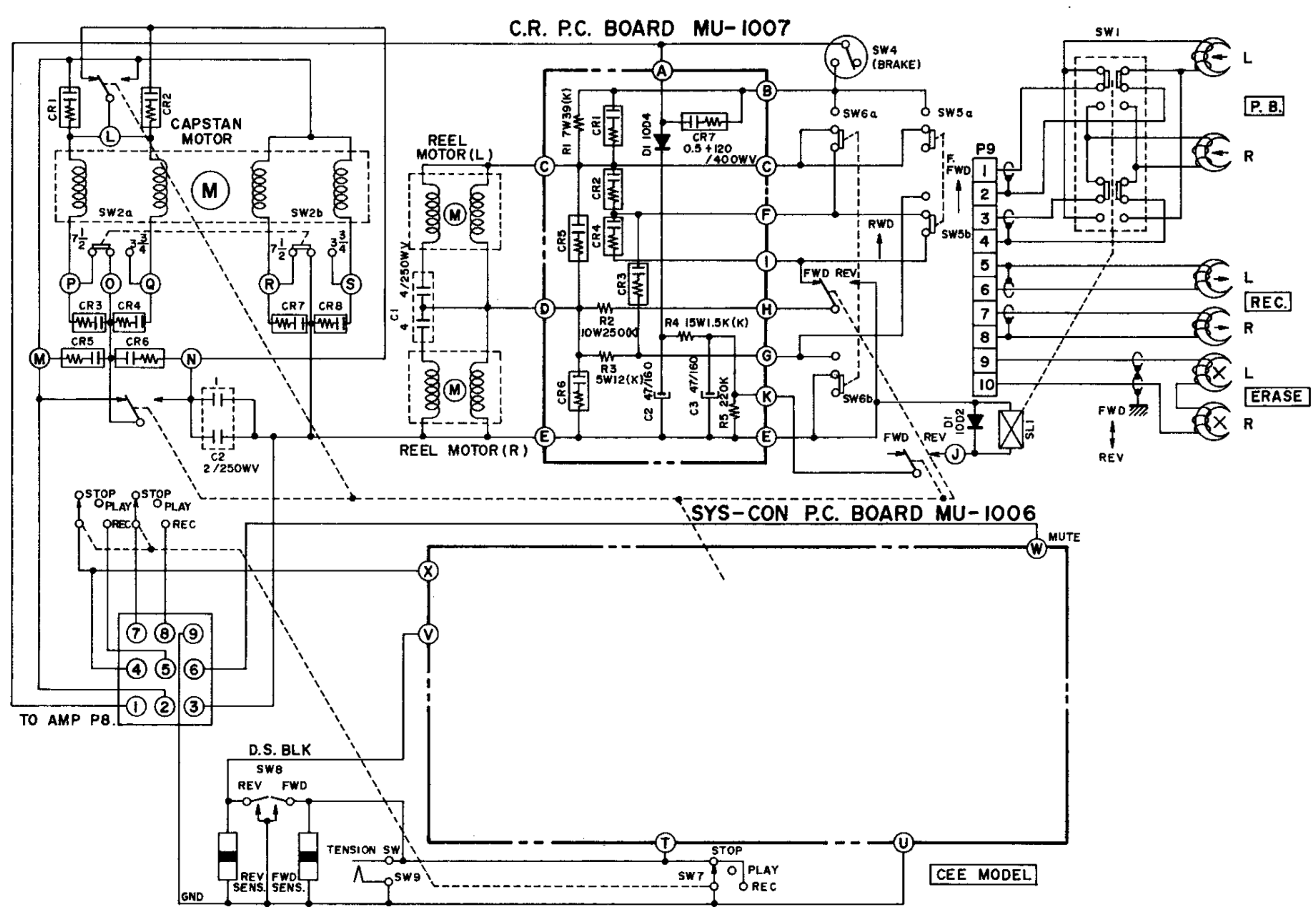
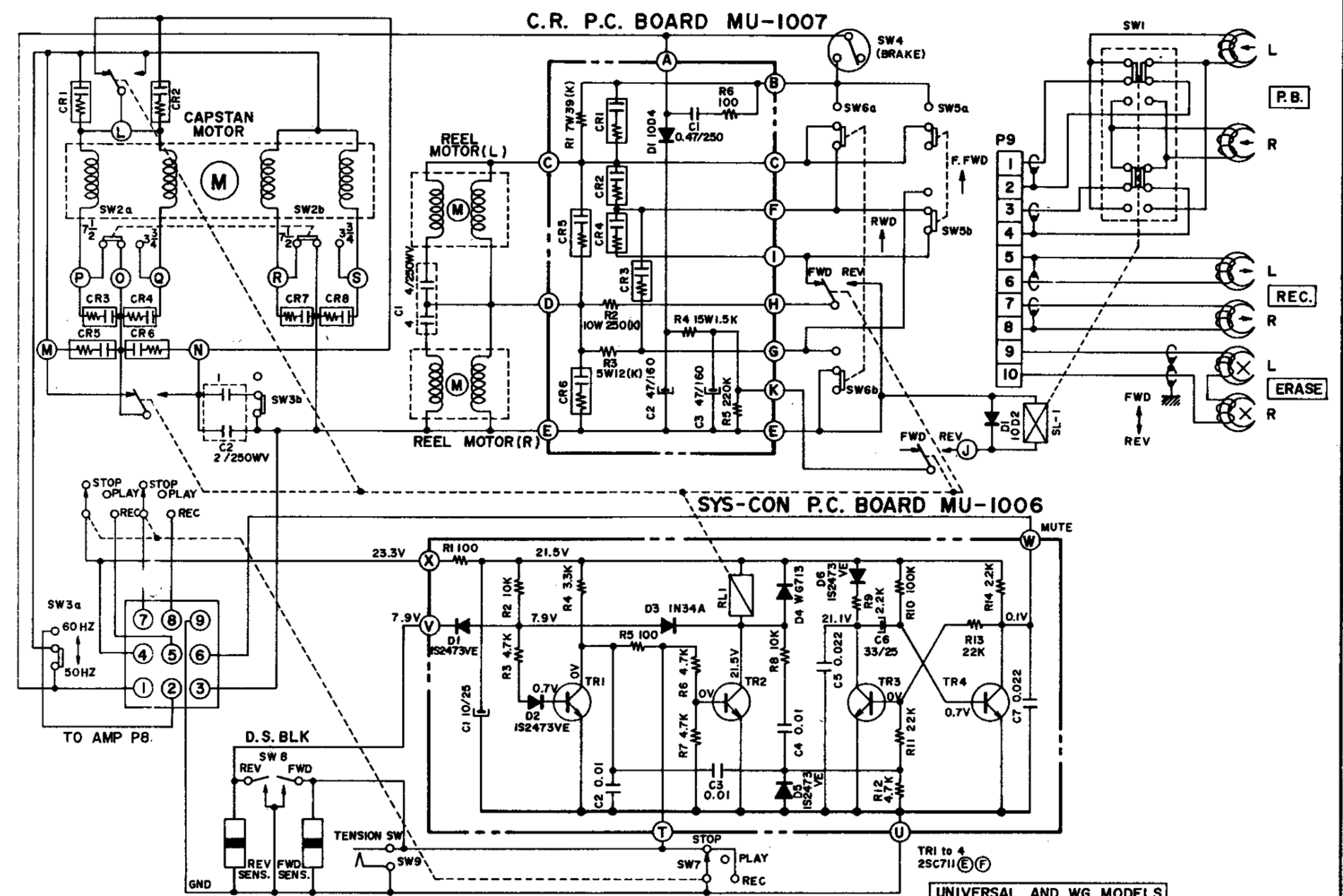
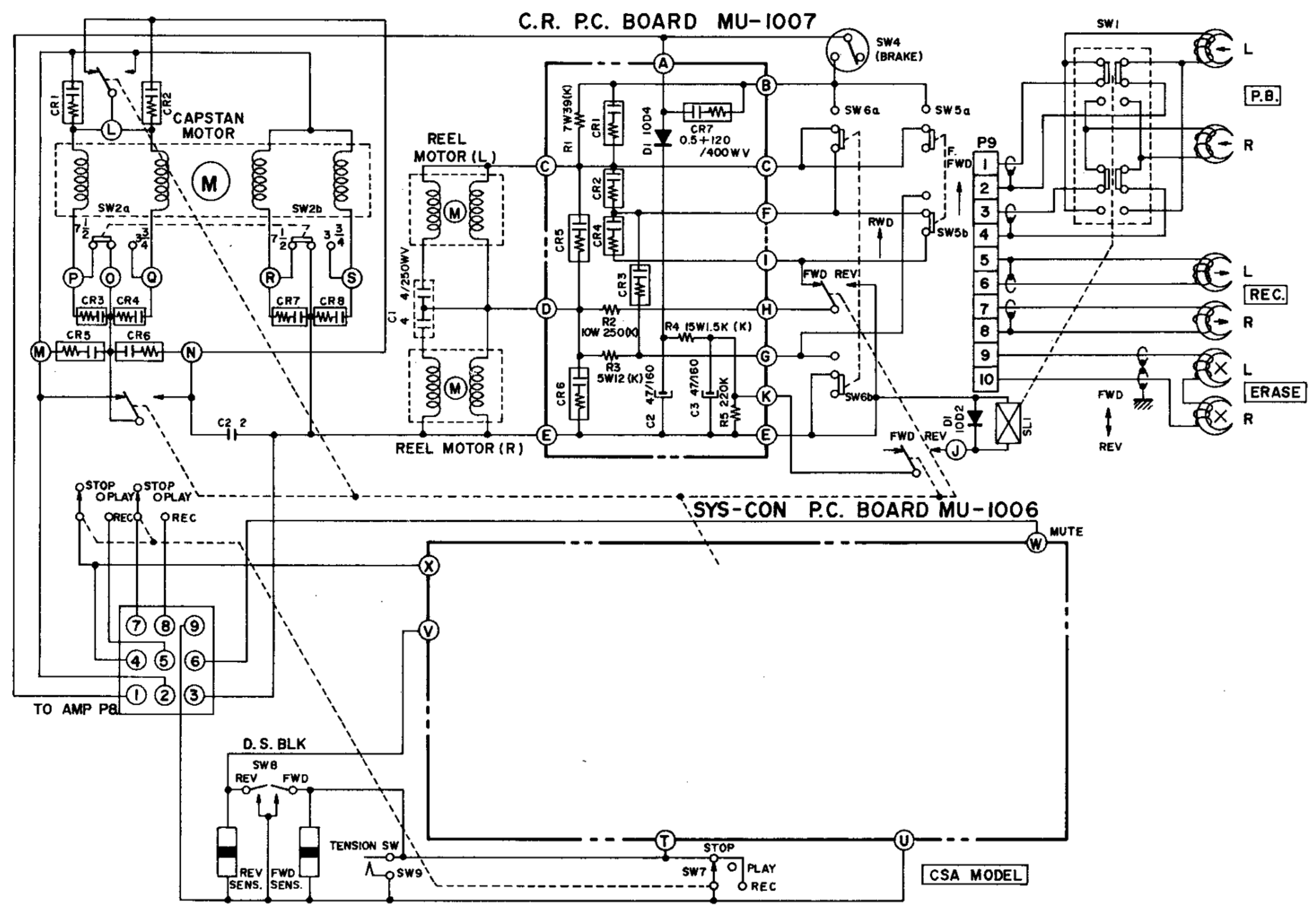
POWER SUPPLY P.C. BOARD MU-5017

POWER SUPPLY P.C. BOARD MU-5017

POWER SUPPLY P.C. BOARD MU-5017

GX-210D  
SCHEMATIC DIAGRAM  
NO.2-1 1480234A

NOTE  
UNLESS OTHERWISE SPECIFIED  
ALL RESISTORS IN Ω 1/4W (J)  
ALL CAPACITORS IN μF 50WV (J)  
POWER TRANSFORMER BLOCK IS  
DIFFERENT ACCORDING TO AREA SHOWN AS ABOVE



NOTE  
 UNLESS OTHERWISE SPECIFIED  
 ALL RESISTORS IN A 1/4W(J)  
 ALL CAPACITORS IN MF 50W.V.(J)  
 ALL SPARK QUENCHERS IN 0.1μ+120A/400W.V.  
 SPARK QUENCHERS CR1 TO CR8 SHOWN IN  
 PARENTHESIS ( ) ARE LOCATED ON  
 SYS-CON P.C. BOARD.  
 MECHANISM BLOCK IS DIFFERENT  
 ACCORDING TO AREA.

GX-210D  
 SCHEMATIC DIAGRAM  
 NO.2-2 1480235A