

**Tower loudspeaker system
Owner's manual**

ADS

L1290

Contents

-
- 2** Introduction
 - 3** Unpacking
 - 4** Placing your speakers
 - 6** Connecting the speakers to the amplifier
 - 9** Using your speakers
 - 10** Bi-amplified operation
 - 12** In case of difficulty
 - 13** Maintaining your speakers
 - 14** Specifications

Introduction

Thank you for purchasing ADS loudspeaker systems. Each system has been thoroughly inspected and computer tested to provide you with years of sonic excellence. ADS loudspeakers are constructed of materials chosen for optimum performance and have been carefully crafted in a modern plant designed specifically for loudspeaker production. Their design and acoustic performance fully complement ADS' Atelier series of electronic components, making possible integrated entertainment systems that are an integral part of the living environment.

This manual provides information on the placement, connection and operation of your loudspeakers. Please read it thoroughly and save it for future reference.

Thank you.

ADS, Analog & Digital Systems, Inc.

Each loudspeaker is wrapped in a protective bag and packed with corrugated bolsters inside a rigid carton. Remove the top bolster, then the package containing a sheet with two self-stick serial number labels, the *Owner's Registration Cards*, and a 3mm Allen wrench. Lift the speaker out of the shipping carton and remove the protective bag. The bottom center bolster in the carton contains the grille on a foam spacer. Remove the grille from the bolster, lift it away from the foam spacer, and set it safely aside.

The tweeter and midrange drivers are covered by protective cups. Remove these cups by pulling straight out from the face of the speaker. If you are unable to easily pull them off, use your fingers to carefully pry the edges of the cups away from the driver plates. Two raised sections at the edges of the cups cover small wires on the drivers; do not pry around these sections. Do not pry with tools of any kind. **Do not** touch the driver cones or domes.

Installing the grille Notice the ADS logo on the front of the grille and the six pointed studs on the rear. Place the grille, logo at the bottom, on the speaker by pressing the top two studs into the rubber sockets at the top of the L1290. Press the remaining four studs into their sockets.

Removing the input connector cover The input connector housing is located behind a cover panel, in a recess in the rear of the L1290. The panel is held in place by four 3mm socket head screws. Use the supplied 3mm Allen wrench to remove the screws. Remove the panel and set it safely aside until the connections are completed.

Owner's record Completing and mailing your postage-paid *Owner's Registration Card* enters your purchase into our files. Please use one postage-paid Owner's Registration Card to record the numbers for both of your speakers. Peel off one of the two serial number labels packed with each speaker and place it in the space provided on the Registration Card that you send to ADS. Place the other serial number label from each speaker in the space on the Registration Card that you keep.

We urge you to save **both** your sales receipt and your Owner's Registration Card for future reference; you may want to attach them to this manual.

Placing your speakers

4 Shipping carton We suggest you save the carton and packing materials for future use. Do not pack the speaker without first placing the protective cups over the tweeter and midrange drivers. Do not pack the speaker with the grille still on it. The shipping carton shows the details of packing the L1290 on one of its flaps. Transporting the L1290 in anything other than its factory carton can result in damage which is not covered by the warranty.

Removing the grille Remove the grille by pulling straight out on the bottom of the grille to release the lower four studs. Then pull the top of the grille straight out to release the remaining top two studs.

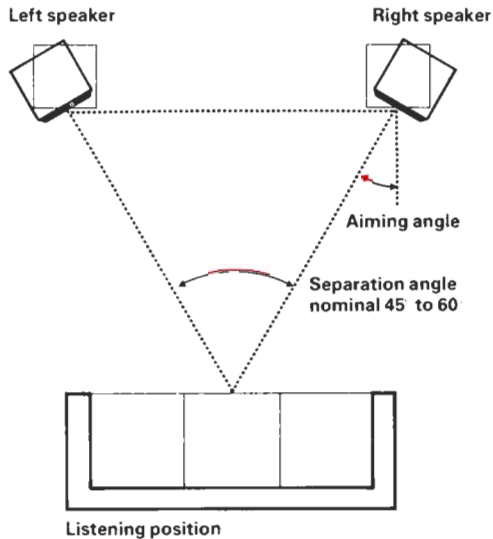
Note The accessory F12 Base attaches permanently to the bottom of the L1290 to increase its stability on thick carpet or uneven floors. Contact your ADS dealer for information about the F12.

The location of speakers in the listening room and the characteristics of the room itself are highly important factors in the quality of the reproduced sound. For most people, the room is the factor least able to be altered in the process of achieving good sound. It is also true that the locations of the speakers are often influenced by considerations of decor rather than sound quality.

In view of these facts, we urge you to experiment freely with the locations of your speakers. Not only might you find outstanding locations for the speakers, you are also quite likely to thoroughly enjoy the process. Below are some general considerations.

Boundaries The walls, floor and ceiling make up the boundaries of the room, although bookcases, divider walls and the like can also be boundaries. In general, the L1290s have smoothest response and best stereo imaging when located two–four feet from boundaries. Moving the speakers closer to one or more boundaries will increase the bass output. In some rooms, this extra bass will sound good; in others, the extra bass will sound boomy or tubby.

Nearby "hard" surfaces can dramatically affect the distribution of higher frequencies in the room. When corner locations must be used, angle the speaker toward the center of the room. When the speaker is on or facing an uncovered floor, try using a rug beneath and/or in front of the speaker to reduce high frequency reflections.



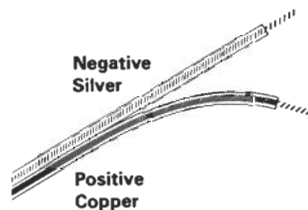
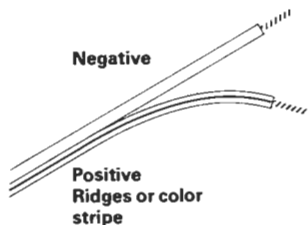
Separation The wide, smooth power response of ADS speakers provides an excellent sense of stereo breadth and depth over a wide listening area. However, varying the distance apart and the angle of the speakers has a substantial effect on the size and depth of the stereo stage.

A good rule of thumb is to start with your preferred listening position and each of the speakers at the points of an equilateral triangle, with the speakers aimed toward the listening position. In other words, the angle between the speakers, as you face them, will be about 60° . In some rooms, this will be too much separation, while in nearly every instance an angle less than 45° will be too small. Vary the separation and the aiming angle for the sense of stage that you prefer.

Caution Do not use these speakers where they may become wet or damp.

Connecting the speakers to the amplifier

- 6 Remove insulation approximately $\frac{3}{8}$ "



Wire Use two-conductor stranded-type, insulated wire to connect the speakers to the amplifier. Wire gets larger in diameter as the gauge number gets smaller; 12 gauge (AWG) wire is larger than 16 gauge. Larger wire has less resistance and maintains amplifier damping of the speakers, while reducing power loss in the wire itself.

Some users and retailers endorse exotic (and expensive) wire designed for certain audible benefits. Many of these wires are well made and effective. "Lamp" wire or "zip cord" also works well so long as it is large enough. We recommend 16 gauge wire for short runs of less than 50 feet, and 12 gauge wire for longer runs. Using wire smaller than 16 gauge will not cause harm but may reduce the damping of the woofer system by the amplifier.

Preparing the wire Estimate the amount of wire needed to reach from the amplifier to each speaker, and then add enough extra wire so you can freely move the speakers about to find the locations for best sound. Use wire cutters to cut these two lengths of wire. Once the locations are established, you can cut the wire to exact length.

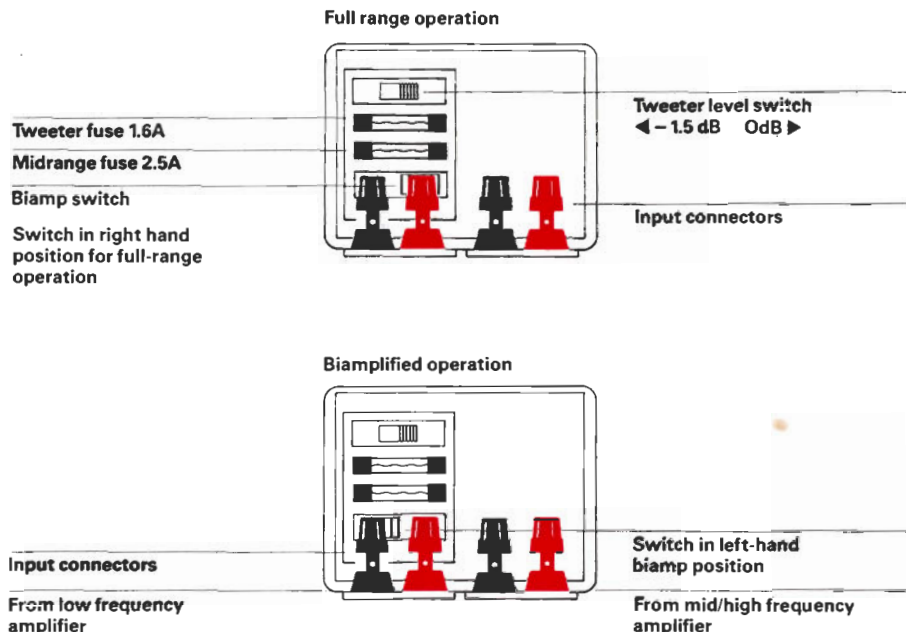
Separate the two conductors of each wire pair for a few inches in from the ends. Strip about $\frac{3}{8}$ " insulation from each conductor by using wire strippers designed for the job. Be careful not to cut into the wire itself. After removing each conductor's insulation, twist the strands of the conductor together to avoid fraying.

Speaker input connectors Your ADS L1290 has four color-coded, binding post input connectors. The red and black pair to the right in the housing are used for full range operation. The red and black pair to the left are for direct woofer connection in biamplified operation only. For information about biamplified operation, see *Bi-amplified operation*, page 10, following. For full range operation, connect the speaker wire to the right hand pair of binding posts.

Unscrew the fluted tops of the binding posts to reveal the wire holes in the posts. Insert the bare wire ends and secure them by screwing the tops of the binding posts finger-tight on the wires. **Do not** use tools to tighten the binding posts.

ADS speaker connectors accept wire up to 16 gauge directly. When you use larger wire, reduce the diameter by removing strands. Cut away strands where they emerge from the insulation, until the wire fits the ADS connector holes. Reducing the size of the wire at the

ends to fit the connectors does not affect the performance of the system in any way. The binding posts also accept a variety of wire terminals, including "banana" plugs which insert into the ends of the posts.



Polarity The left and right channels of the stereo system must be connected in identical polarity (phase). Having one channel reversed in polarity will result in serious bass loss and peculiar stereo imaging.

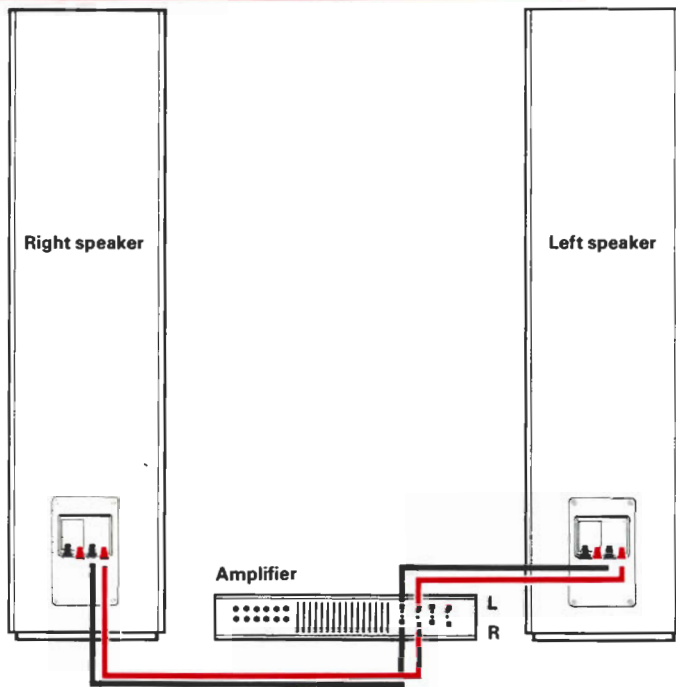
Speaker wire has coding for the two separate conductors. The wire has raised ribs or a color stripe on the insulation of one conductor, or clear insulation with different color conductors. Whichever type of wire you have, call one of the conductors "positive" and the other "negative". Be consistent in connecting both channels.

Connect the positive conductor of one wire pair to the left hand speaker's red input connector and to the amplifier's left channel red, "positive" or "8 Ohm" output connector. Connect the negative conductor of the wire pair to the left speaker's black terminal and to the amplifier's left channel black, "negative" or "ground" connector. Repeat the above steps for the right channel, using the other wire pair, the right hand speaker and the amplifier's right channel output connectors.

- 8 After connection, you can double-check for proper polarity by a simple listening test. Place the speakers face-to-face, a few inches apart. Set your amplifier to **mono** mode, play some music, and then reverse the connections on one speaker. Whichever polarity connection has the fullest, loudest bass is the proper one.

Dress the speaker wire into the notch in the bottom of the recess, and replace the cover panel, using the 3mm socket head screws and the 3mm Allen wrench.

When you are using the ADS PA1 Biampifier or are biampifying with separate power amplifiers and electronic crossover, see the instructions in *Biampified operation*, page 10, following.



Amplifier power and listening levels Thanks to their high efficiency, ADS speakers play loudly with relatively little power input. At the same time, they are rugged enough to be used safely with high-power amplifiers. Your ADS speakers produce, in a typical listening room, about 90 dB average sound pressure level from 2 Watts input, average, per channel. This means that the recommended minimum 15 Watts per channel (30 Watts or more, peak) amplifier can produce average music levels of 90 dB with clean peaks of more than 100 dB.

Rooms that are much larger or less live than typical can require substantially more amplifier power. Listening levels that approach live concert levels may also require more amplifier power.

Using tone controls Amplifier tone controls and loudness compensation controls are of great value in adjusting the tonal balance of the system. Experiment with tone control settings to obtain the tonal balance you prefer for your conditions of music, equipment and room acoustics. Try the loudness compensation when listening at low levels. Generally, the most satisfying sound results from moderate adjustments.

Of course, these controls can be abused. Using full bass and/or treble boost can add significant power input to the speakers. Coupled with high playing levels, this extra power can blow fuses or cause damage.

Precautions You can safely use high-power amplifiers (more than 50 Watts per channel) by observing some simple precautions. We advise you to observe these precautions regardless of amplifier and speaker power ratings.

First, avoid amplifier clipping. Clipping occurs when amplifiers are pushed to their electrical limits. Clipping is audible as distortion or noise such as buzzing, popping or harshness. If you hear the warning of distortion at high levels, *immediately* turn down the level to a point where distortion disappears. Prolonged operation at distorted levels can damage the speakers. Such damage is not covered by the warranty.

Second, continuous test tones can be dangerous to any loudspeaker. Use test tones only at low volume settings and for brief periods.

Finally, and perhaps most importantly, be sure to lower the amplifier level control setting *each* time you change the input selector, tune in stations, or raise or lower the tone arm of your analog disc player.

- 10 Observing these precautions will assure you of the continued high performance for which your speakers were designed.

Tweeter level control The L1290 has a two position switch to adjust the output level of the tweeter. The switch is located behind a cover in the input connector housing, above the tweeter and midrange protection fuses and the biamplifier switch. Use your fingernail to slide the cover down, and then remove it for access to the switch. A label on the back of the cover shows the location and settings of the switch.

Setting the switch to the right results in the normal output level from the tweeter, while setting the switch to the left results in a very mild cut of 1.5 dB. This adjustable tweeter output can help compensate for the increased level of high frequencies in relatively bright rooms. Try the switch both ways, and use the setting that sounds best to you.

Biamplified operation

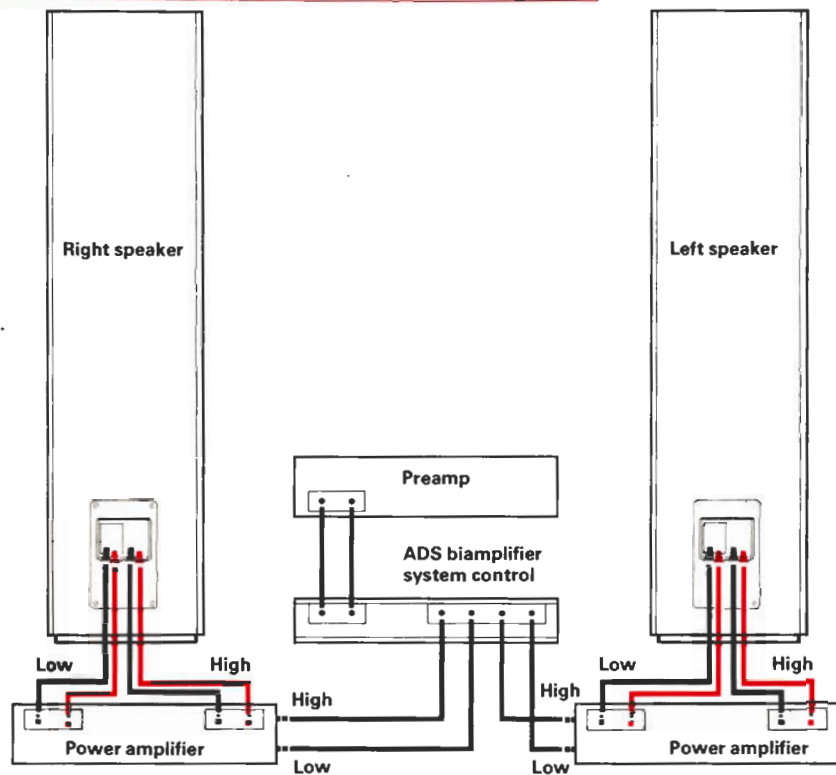
Biamplification results in several sonic benefits, among them lower intermodulation distortion and greater dynamic range. In a biampified system, the woofers of the L1290 are connected directly to one power amplifier, while the midrange and tweeter are connected to another. The two amplifiers are fed from an electronic crossover whose characteristics of crossover frequency and filter damping factors match the requirements of the L1290.

The L1290 can be used in a biampified system with an ADS Biampifier system control and separate power amplifiers, or with the ADS PA1 Biampifier, which contains an electronic crossover and two power amplifiers. The PA1 neatly fits into the recess in the rear bottom of the L1290, making an integrated amplifier/speaker system.

To use the L1290 in biampified mode, the biampifier switch must be set in the left, *Biamp* position. This switch is located behind the cover in the input connector housing. Slide the cover down with your fingernail and remove it to set the switch. The switch is located below the fuses. The biamp switch positions are shown on the label on the back of the cover.

The speaker wire from the woofer amplifier (low-pass amplifier) is connected to the left, red and black pair of binding posts. The wire from the mid/high amplifier (high-pass amplifier) is connected to the right pair of binding posts. The label on the connector housing shows the locations of the connectors.

See the Owner's manual of the PA1 for more detailed instructions for its use. See the Owner's manual of the ADS Biampifier system control for detailed instructions for using various combinations of amplifiers and for a thorough discussion of connection polarity.



Most difficulties with high fidelity equipment result from loose or poor connections, bad connecting cables or lack of understanding of the unit's operation.

Below are some common difficulties with suggested remedies. If these remedies don't help, contact your ADS dealer for assistance. If you want to contact the factory directly, write or call:

Customer Service Manager
ADS, Analog & Digital Systems, Inc.
One Progress Way
Wilmington, MA 01887
617 658-5100

No sound It is extremely rare for a speaker to fail completely. Check the amplifier speaker selector and tape monitor switches, and the connections at the amplifier and the speaker. Usually you will find a loose connection or a switch in the wrong position.

Dull or muffled sound A blown tweeter and/or mid-range fuse can produce this sound quality. The L1290 has both tweeter and midrange fuses. Turn the amplifier level control to a low setting, and put your ear close to each driver in turn, to discover the driver that is not working. Replace the fuse for that driver. Fuses blow only from an excess of power applied to the speaker; they do not wear out. The fuses are located behind the cover in the input connector housing on the back of the speaker. Use your fingernail to slide the cover down, and then remove it for access to the fuses.

The fuses have plastic pull tabs around them for easy removal; be sure to place the pull tab around the replacement fuse before you install it. Replace a blown fuse only with a fuse of identical type and rating. A label on the back of the cover shows the locations and ratings of the fuses. Occasionally a blown fuse will look good. The surest test is to replace the fuse with a known good one.

No bass output If your L1290 sounds thin and reedy, check the position of the bi-amplifier switch behind the cover, below the fuses, and set it to the *normal* position.

Weak or distorted sound Check for loose strands shorting out adjacent speaker wires at the amplifier and speakers. Check also for a loose connection, which is the most common cause of speaker distortion. If you experience distortion or buzzing sounds from an individual driver after having to replace its fuse, contact your ADS dealer for assistance.

Continuous background noise or hum These sounds are always from the electronic equipment and not from the speakers. Check the other equipment.

Enclosures Ordinarily, the enclosures of ADS speakers require no maintenance other than dusting. The genuine walnut finishes are lacquered to seal the grain and preserve appearance. You can use dusting spray or furniture polish, if you like, but be careful not to spray on or near the drivers, or through the grilles. Do not use furniture oils.

Dust the textured black finishes with a dry or slightly damp cloth. Dusting sprays may, and polishes will make the finish shiny.

Simply dust the grille with a dry cloth or duster as needed.

Drivers The drivers require no routine maintenance. Do not touch the drivers or allow anything to touch them. Do not vacuum clean the drivers or the front panel of the speakers. Some dust accumulation on the tweeter and midrange domes is normal and does not affect the sound in any way.

L1290 Specifications

14	Frequency response	40–27,000 Hz, ± 3 dB.
	Impedance	8 Ohms, nominal.
	Efficiency	90 dB SPL from 2.8 VRMS ("1 Watt") pink noise input, measured at 1 meter in a typical listening room.
	Driver complement	<p>One 19 mm/0.75" woven soft-dome tweeter with proprietary damping. Wet wound, single layer, high temperature voice coil assembly. Magnetic fluid cooling.</p> <p>One 50 mm/2.0" woven soft-dome midrange with proprietary damping. Wet wound, single layer, high temperature voice coil assembly.</p> <p>Two 210 mm/8.3" cast basket, high compliance woofers with tapered, damped Stiffite[®] cone and butyl rubber surrounds. Wet wound, two layer, high temperature, Linear Drive voice coil assemblies in extended-pole magnet structures.</p>

Crossovers	500 Hz and 5000 Hz. High efficiency, tight-tolerance design with 12 dB/Octave slopes.
Provision for biamplified operation	Mode switch and separate terminals for direct woofer input.
Tweeter level control	Two-position switch, 0 and -1.5 dB.
Driver protection	Tweeter—type 3AG 1.6 Amp fuse. Midrange—type 3AG 2.5 Amp fuse.
Power rating	300 Watts maximum peak program.
Recommended amplifier power	15 Watts minimum, 300 Watts maximum.
Input connectors	Two pairs of color coded, multi-way binding post terminals.
Enclosure type	Acoustic suspension, with glass fiber damping and separate chamber for each woofer.
Enclosure construction	19 mm/0.75" thick, high density compressed wood with internal bracing. Diffraction-corrected flush front baffle with flush driver mounting.

Finishes	Select, straight-grain, genuine walnut veneer or textured black urethane. Enclosure fully finished on all 5 visible faces.
Grille	Acoustically transparent, frameless, perforated steel with matte black finish.
Dimensions	1063 mm/41.9" h x 265 mm/10.5" w x 300 mm/11.9" d. Grille adds 25 mm/1" to depth.
Weight	33 kg/73 lb.
Optional accessories	F12 Base. PA1 Biampifier. Installs in recess in rear of L1290 enclosure.

ADS, Analog & Digital Systems, Inc.

One Progress Way

Wilmington, Massachusetts 01887

617 658-5100

Dear ADS LL290 Owner:

We have made several technological advances to improve both the performance and the convenience of using the LL290 loudspeaker system:

- Thanks to the new midrange driver's high power handling capability, the 2.5 A midrange fuse is not needed and has been removed.
- An advanced solid-state tweeter protector, located inside the speaker, replaces the 1.6 A tweeter fuse. This protector interrupts the signal to the tweeter only when overload occurs, then automatically restores proper operation after the signal level is reduced.
- New binding post connectors have larger wire holes for easier connection.

The following sections entirely or partially replace those found in the LL290 Owner's manual:

Page 6: Speaker input connectors (third and fourth paragraphs)

ADS speaker connectors accept wire up to 7 gauge directly. The holes also accept banana plugs, spade lugs, and nearly any type of wire terminal.

You can insert banana plugs directly into the ends of the posts. For bare wire ends, or wire terminals (including banana plugs), unscrew the fluted tops of the binding posts to reveal the holes through the centers of the posts. Insert the wire ends or terminals into the holes, and secure them by screwing down the tops of the binding posts finger-tight. Do not use tools to tighten the binding posts.

Page 7: Drawings-- The fuses shown in the drawings are no longer needed in the improved LL290, and are not present in your speaker. The other elements of the drawing are correct.

Page 12: Dull or muffled sound Operation of the automatic tweeter protector can cause this sound quality. Turn the amplifier level control to a low setting, and within a few seconds the protector will automatically restore signal to the tweeter.

The protector operates only when excessive power is applied to the speaker. Severe amplifier overload (clipping) is nearly the only cause of protector operation. Reduce the playing level to prevent tweeter signal interruption.

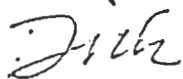
Page 14: Driver complement (add to the end of the second, midrange paragraph) Magnetic fluid cooling.

Driver protection .Tweeter--fully automatic solid-state protector.

This completes the replacements.

Thank you for purchasing ADS products.

ANALOG & DIGITAL SYSTEMS, INC.



Dick Moore
Technical Assistant to the President



Analog & Digital Systems, Inc.
One Progress Way
Wilmington, Massachusetts 01887
USA

Phone: 617/658-5100, 729-1140
Telex: 200-208 ADS UR

February, 1986

Addendum to L1290 Owner's Manual

A new cabinet design simplifies connecting the signal cables to the L1290. The input connector housing is now located on the bottom surface of the cabinet. This means that there is no longer a cover panel which must be removed before the connections can be made.

With the new design, connections are most easily made by laying the speaker on the floor with the drivers facing up. After the connections are made, carefully stand the speaker upright. Channels in the bottom of the cabinet allow the input wires to be routed to the rear of the cabinet.

The configuration of the terminals and switches remains unchanged. Please refer to the owner's manual for full information.

The PA1 Biampifier

The L1290 is available with the PA1 on a special order basis. Please note that the biampifier module can no longer be installed after purchase. We suggest you consult your dealer if you have questions.

We hope you will enjoy your new L1290 loudspeakers.